

RAINBOW

INSTALLATION AND CARE GUIDE

AMORA VANITY

054036

054048

Model : 054036
054048

PRE-INSTALLATION

Tools Required



Materials Included

4 leg levelers

Materials Required

3 wood screws
1 2x4 beam cut to size

Model : 054036
054048

INSTALLATION

Step 1: Determine the ideal location of your new vanity.

Note: Check if the location has at least two studs. Front notch the studs and install a 2x4 horizontal beam. This will add stability for the vanity.

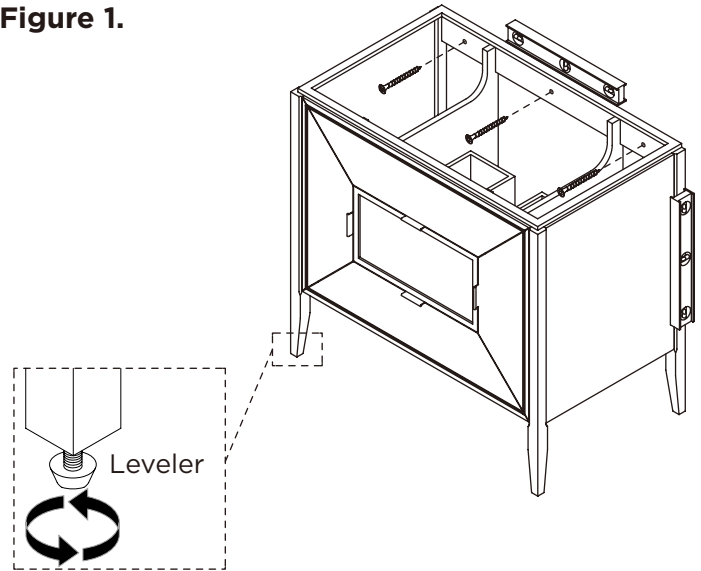
Step 2: Attach the vanity to the wall with wood screws into the horizontal beam.

Step 3: Verify the vanity is level.

Adjust the leg levelers if needed.

See Figure 1.

Figure 1.



Model : 054036
054048

INSTALL THE VANITY TOP

Step 1: Clean the surface of the cabinet with a damp cloth.

Step 2: Install the sink to the vanity top per the manufacturer's instructions.

Step 3: Apply a thin bead of silicone to the surface of the vanity.

Carefully place the vanity top on the vanity.

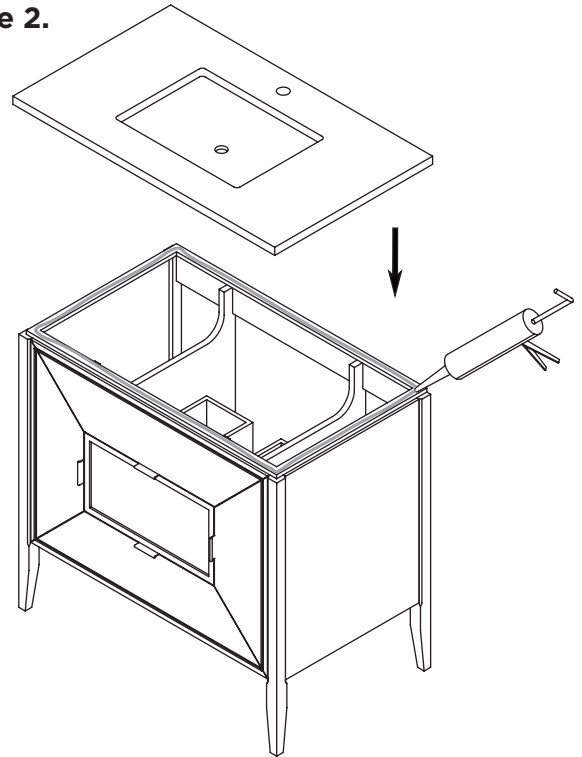
Clean off any excess silicone immediately.

See Figure 2.

Step 4: Follow the directions on the silicone tube to allow for ample drying time.

Refrain from moving/using the vanity during this time.

Figure 2.



NOTE: For WideAppeal™ Countertops:

WideAppeal™ Countertops include a wooden inner frame. To prep the countertop for installation, first apply a thin bead of silicone to the inner frame, then attach the frame to the countertop.

Please note: a 1/2" gap between the vanity top and the vanity is an intentional part of the design and is not a defect.

Model : 054030
054036
054048

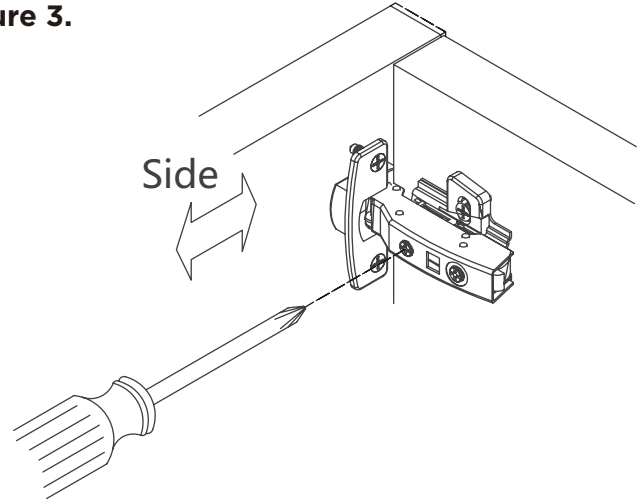
ADJUST DOOR HINGE

Side to Side

Locate the screw nearest the hinge cup and rotate clockwise or counter-clockwise to move the door from side to side.

See Figure 3.

Figure 3.

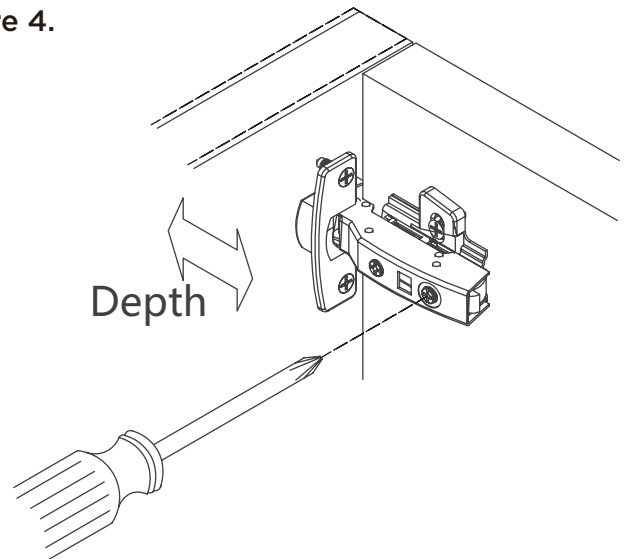


Front to Back

Locate the screw furthest away from the hinge cup and turn the screw clockwise or counter-clockwise to move the door from front to back.

See Figure 4.

Figure 4.

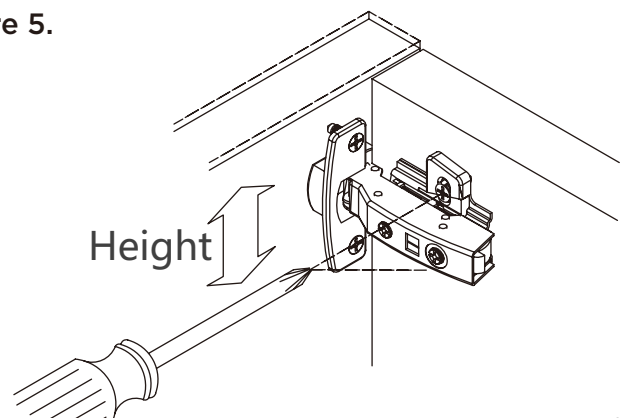


Top to Bottom

Locate the screw pictured in Figure 6. Turn the screw clockwise or counter-clockwise to move the door from top to bottom.

See Figure 5.

Figure 5.



NOTE: When adjusting the door hinges keep in mind to adjust the other hinges.

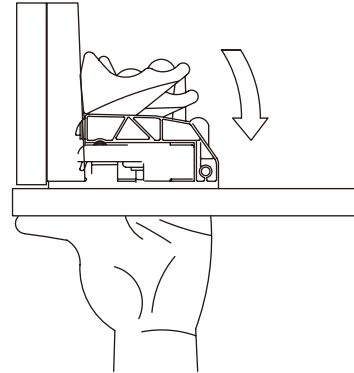
Model : 054036
054048

REMOVE DRAWER

Step 1: Pull the release latches located underneath the drawer.

See Figure 6.

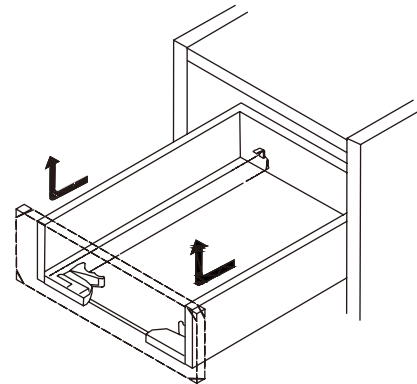
Figure 6.



Step 2: Slide and lift up the drawer box.

See Figure 7.

Figure 7.

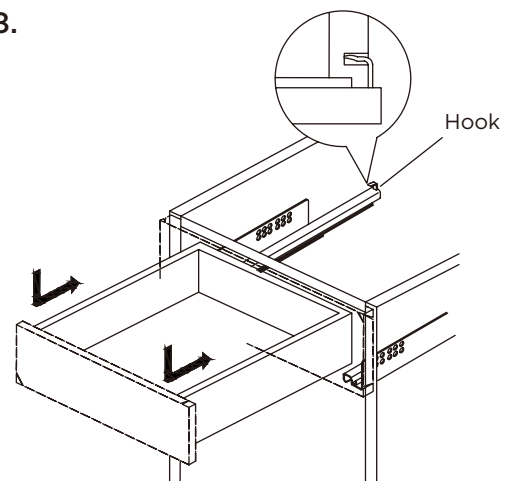


REINSTALL DRAWER

Step 1: Slide drawer box in until secured by rail hook.

See Figure 8.

Figure 8.



<https://youtu.be/4DdK3cj3sTU>

Model : 054036
054048

PRODUCT CARE AND MAINTENANCE

The fine furniture finish of your new vanity, mirror or other bathroom accessories are designed to protect against normal home use. With proper care, your product will provide years of use and beauty in your home.

General Care Tips

- Test cleaning product on small, discrete area prior to applying to entire surface.
- Wipe surfaces frequently with dry, soft, non-abrasive and lint-free towel.
- Do not allow liquids and moisture to accumulate on the surface of products.
- For warranty information, please visit our website at www.ronbow.com or contact the Customer Service Department at (510) 713-1188.

Wood Surfaces

- If a spill occurs, clean and dry the surface immediately as liquid can soak through the surface and cause greater damage.
- Do not place in direct sunlight. Exposure to sunlight may affect the appearance of your vanity, and the finish will eventually crack.
- Keep away from direct sources of extreme temperatures as heat, cold or moisture from humidity. Color changes, or blemishes in the wood can occur if recommended care of is not met. Try to avoid these extremes.
- Most wood surfaces can be cleaned, or dusted, with any commercial wood cleaning product. For general cleaning, use a non-abrasive, or lint-free cloth while dusting along the wood grain to preserve the wood's characteristics.

Recommended Products

- Pledge Orange Oil, or similar
- Orange-Glo Wood Cleaner

DISCLAIMERS: Wood naturally ages, darkens and changes color over time due to several environmental conditions that may cause materials to vary from their original color and/or to warp, split or crack. These variations are considered to be the nature of the material in relation to their environmental exposure and may be significant over a long period of time. The effectiveness of cleaning Ronbow product is dependant on various factors that include sunlight, smoke, moisture, household cleaners and/or amount of cleaning product used over time. Ronbow cannot guarantee that the above Product Care & Maintenance methods will effectively clean your product.

RONBOW

40650 Encyclopedia Circle
Fremont, CA 94538

T 510.713.1188
F 510.657.9388