

# ROUNBOW

## INSTALLATION AND CARE GUIDE

AMORA VANITY  
054030

Model : 054030

## PRE-INSTALLATION

### Tools Required



### Materials Included

4 leg levelers

### Materials Required

3 wood screws  
1 2x4 beam cut to size

Model : 054030

**INSTALLATION**

**Step 1:** Determine the ideal location of your new vanity.

**Note:** Check if the location has at least two studs. Front notch the studs and install a 2x4 horizontal beam. This will add stability for the vanity.

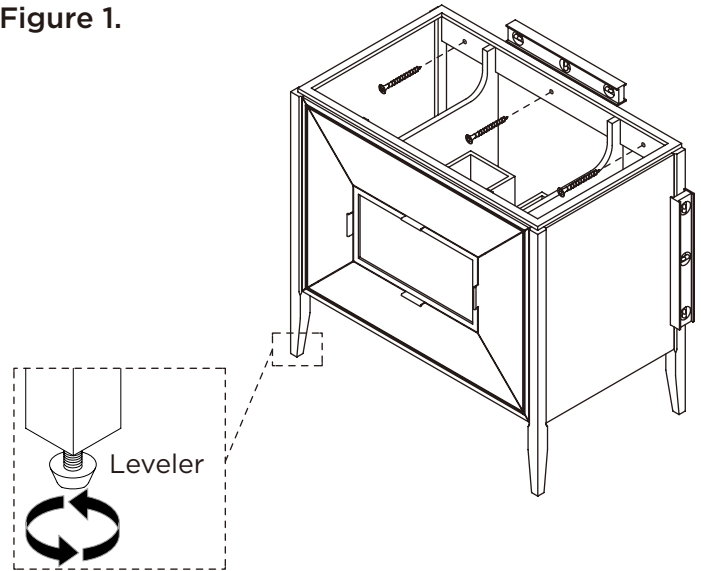
**Step 2:** Attach the vanity to the wall with wood screws into the horizontal beam.

**Step 3:** Verify the vanity is level.

Adjust the leg levelers if needed.

**See Figure 1.**

**Figure 1.**



Model : 054030

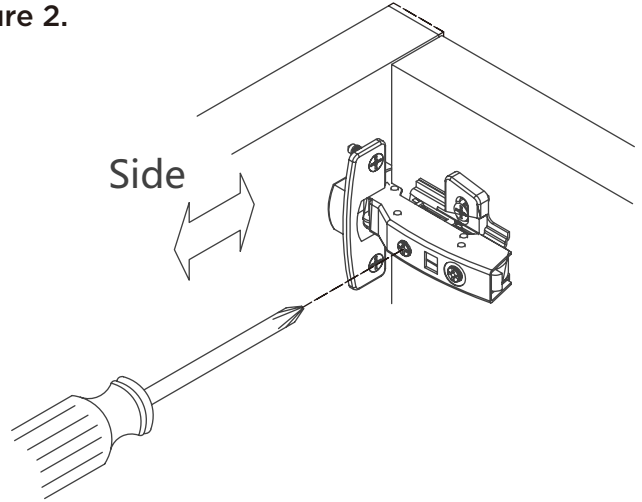
**ADJUST DOOR HINGE**

**Side to Side**

Locate the screw nearest the hinge cup and rotate clockwise or counter-clockwise to move the door from side to side.

See Figure 2.

Figure 2.

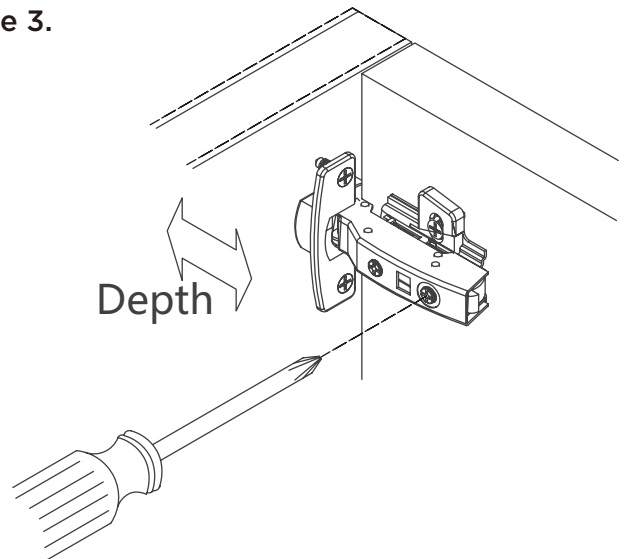


**Front to Back**

Locate the screw furthest away from the hinge cup and turn the screw clockwise or counter-clockwise to move the door from front to back.

See Figure 3.

Figure 3.

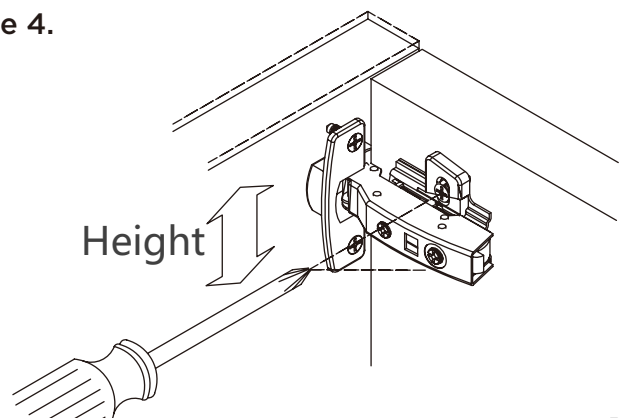


**Top to Bottom**

Locate the screw pictured in Figure 6. Turn the screw clockwise or counter-clockwise to move the door from top to bottom.

See Figure 4.

Figure 4.



**NOTE:** When adjusting the door hinges keep in mind to adjust the other hinges.

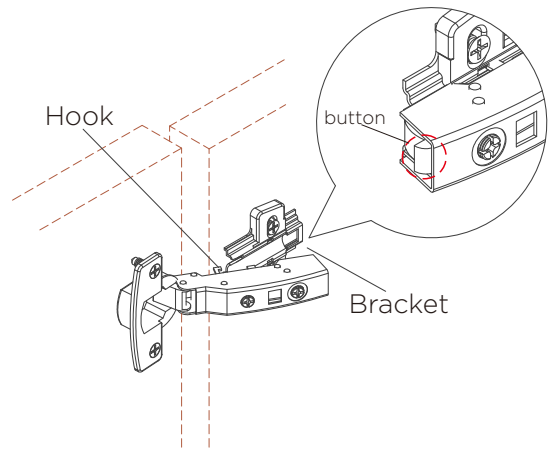
Model : 054030

**DISMANTLE THE HINGE**

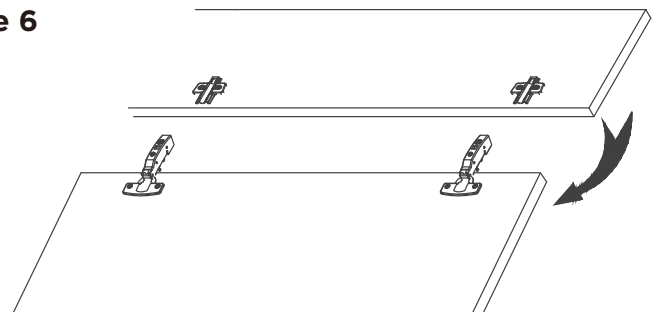
**Step1:** There is a small button/lever on the back of the hinge (see Figure 6) Press it and lift up. The hinge should come free easily. Repeat for both hinges.

**See Figure 5 and Figure 6**

**Figure 5.**



**Figure 6**

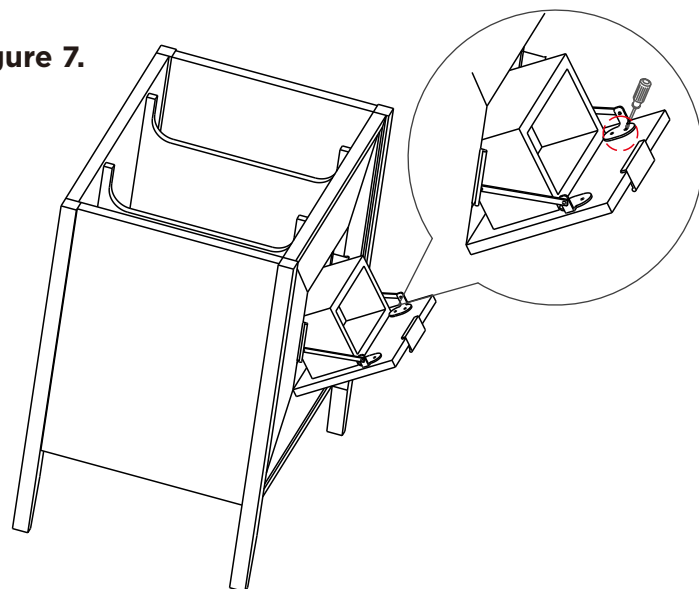


**REMOVE CENTER DRAWER**

**Step1:** Using a short Philips-head screwdriver, remove the four screws (two on each side) that attach the folding metal arms to the drawer face.

**See Figure 7.**

**Figure 7.**



Model : 054030

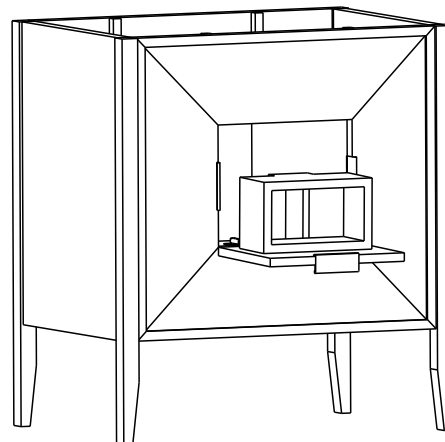
**Step2:** When the folding metal arms are detached, fold the drawer all the way down.

**See Figure 8**

**Step3:** Reach behind the drawer to release the hinges.

**See "DISMANTLE THE HINGE"**  
**(Figure 5 and Figure 6)**

**Figure 8**

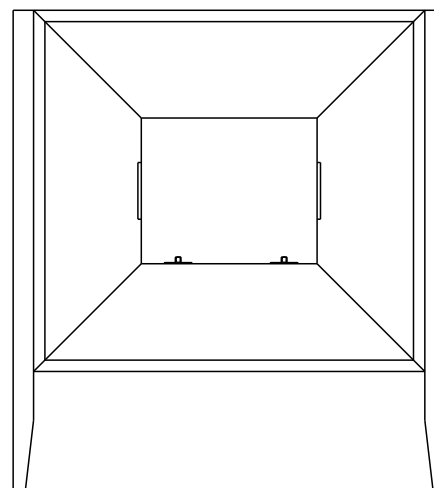


**Step4:** Pull the drawer straight out to remove

**See Figure 9**

**NOTE:**For plumbing, we recommend:  
- Using a bottle trap to avoid anypossible clearance issues  
- Installing wall bend and hot/cold valves prior to installing the top

**See Figure 9**



Model : 054030

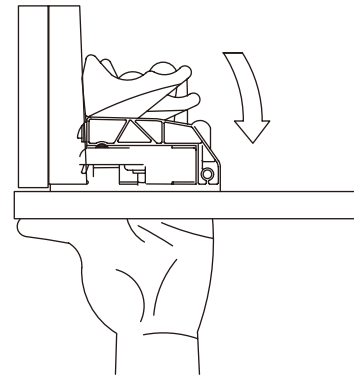
**Step2:** With the hinges re-attached, screw the folding metal arms back to the drawer face. Ensure that the “elbows” of the arms bend down, not up.

**REMOVE DRAWER**

**Step 1:** Pull the release latches located underneath the drawer.

**See Figure 10.**

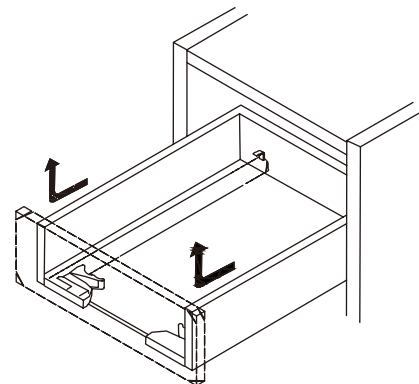
**Figure 10.**



**Step 2:** Slide and lift up the drawer box.

**See Figure 11.**

**Figure 11**

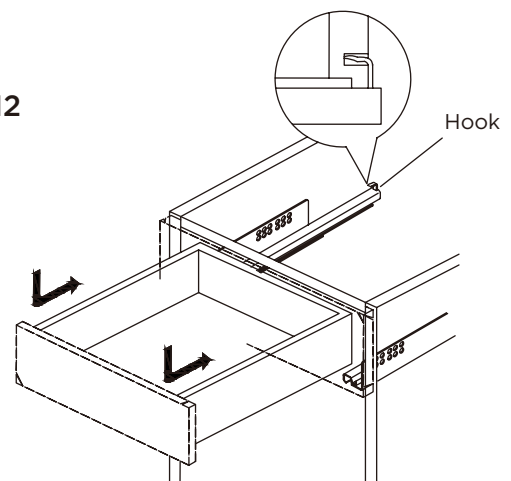


**REINSTALL DRAWER**

**Step 1:** Slide drawer box in until secured by rail hook.

**See Figure 12.**

**Figure 12**



<https://youtu.be/4DdK3cj3sTU>

Model : 054030

**INSTALL THE VANITY TOP**

**Step 1:** Clean the surface of the cabinet with a damp cloth.

**Step 2:** Install the sink to the vanity top per the manufacturer's instructions.

**Step 3:** Apply a thin bead of silicone to the surface of the vanity.

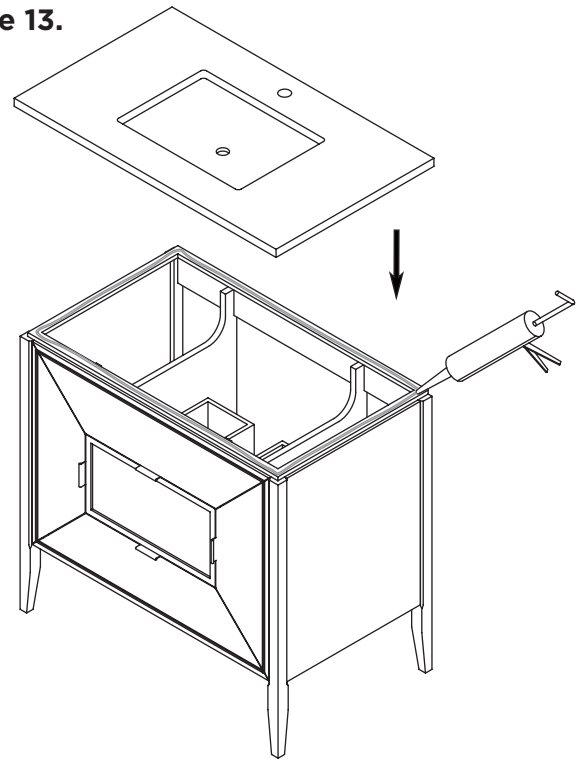
Carefully place the vanity top on the vanity.

Clean off any excess silicone immediately.

**See Figure 13.**

**Step 4:** Follow the directions on the silicone tube to allow for ample drying time.

Refrain from moving/using the vanity during this time.

**Figure 13.**

**NOTE:** For WideAppeal™ Countertops:

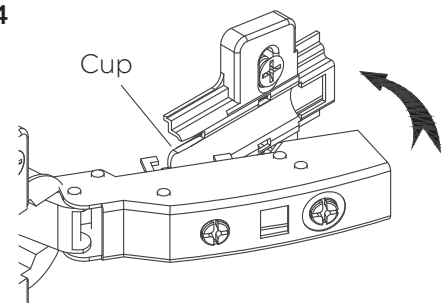
WideAppeal™ Countertops include a wooden inner frame. To prep the countertop for installation, first apply a thin bead of silicone to the inner frame, then attach the frame to the countertop.

Please note: a 1/2" gap between the vanity top and the vanity is an intentional part of the design and is not a defect.

**REINSTALL CENTER DRAWER**

**Step 1:** When the plumbing is finished, clip the hinges back on. There are small hooks on the bottom of the hinge (see below, left) that catch on the plate attached to the vanity. Align these, then press down on the back of the hinges until you hear a click.

**See Figure 14**

**See Figure 14**



Model : 054030

## PRODUCT CARE AND MAINTENANCE

The fine furniture finish of your new vanity, mirror or other bathroom accessories are designed to protect against normal home use. With proper care, your product will provide years of use and beauty in your home.

### General Care Tips

- Test cleaning product on small, discrete area prior to applying to entire surface.
- Wipe surfaces frequently with dry, soft, non-abrasive and lint-free towel.
- Do not allow liquids and moisture to accumulate on the surface of products.
- For warranty information, please visit our website at [www.ronbow.com](http://www.ronbow.com) or contact the Customer Service Department at (510) 713-1188.

### Wood Surfaces

- If a spill occurs, clean and dry the surface immediately as liquid can soak through the surface and cause greater damage.
- Do not place in direct sunlight. Exposure to sunlight may affect the appearance of your vanity, and the finish will eventually crack.
- Keep away from direct sources of extreme temperatures as heat, cold or moisture from humidity. Color changes, or blemishes in the wood can occur if recommended care of is not met. Try to avoid these extremes.
- Most wood surfaces can be cleaned, or dusted, with any commercial wood cleaning product. For general cleaning, use a non-abrasive, or lint-free cloth while dusting along the wood grain to preserve the wood's characteristics.

### Recommended Products

- Pledge Orange Oil, or similar
- Orange-Glo Wood Cleaner

**DISCLAIMERS:** Wood naturally ages, darkens and changes color over time due to several environmental conditions that may cause materials to vary from their original color and/or to warp, split or crack. These variations are considered to be the nature of the material in relation to their environmental exposure and may be significant over a long period of time. The effectiveness of cleaning Ronbow product is dependant on various factors that include sunlight, smoke, moisture, household cleaners and/or amount of cleaning product used over time. Ronbow cannot guarantee that the above Product Care & Maintenance methods will effectively clean your product.

# RONBOW

40650 Encyclopedia Circle  
Fremont, CA 94538

T 510.713.1188  
F 510.657.9388

[ronbow.com](http://ronbow.com)