

- Soft Close Wood doors
- Soft Close and Full Extension drawers with Dovetail construction
- Undermount glides
- Matching finish throughout the interior
- Extend design with Optional 12", 15" & 18" Drawer Bridge, 15" Shelf Bridge and 35" max Bridge Panel
- Optional Drawer Organizer
- Matching Mirror, Medicine Cabinet and Wall Cabinet
- Handles meet USA standards: 4" center to center

All Ronbow cabinets are made of solid hardwood or hardwood plywood and meet strict CARB Standards. No particle Board or Micro-Density Fiberboard (MDF) are used.

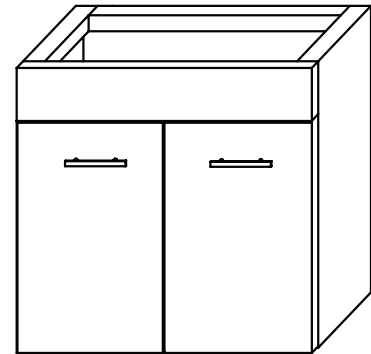
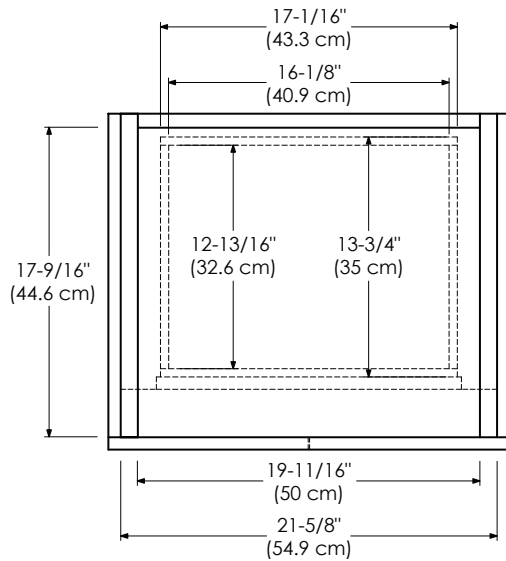
Available finishes:

- CINNAMON F08
- DARK CHERRY H01
- WHITE W01

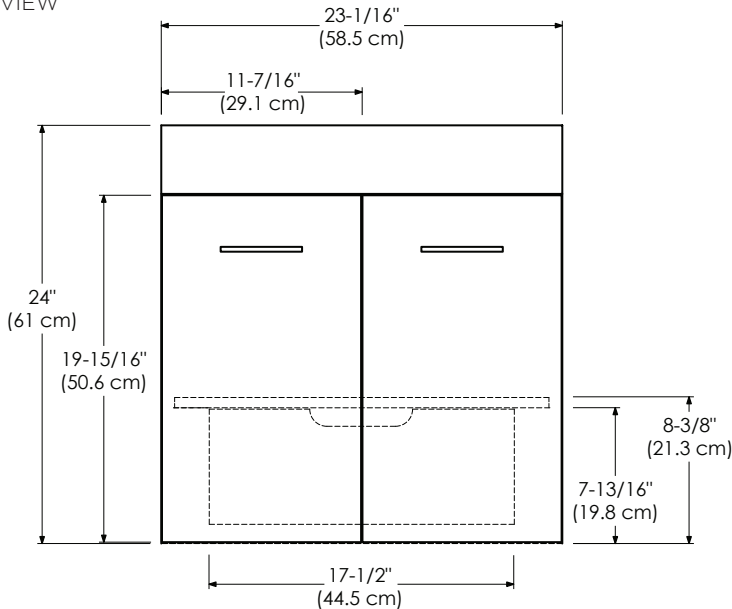
Available tops:

- CERAMIC SINKTOP
- GLASS SINKTOP
- TECHSTONE™ TOP
- WIDEAPPEAL™ TOP

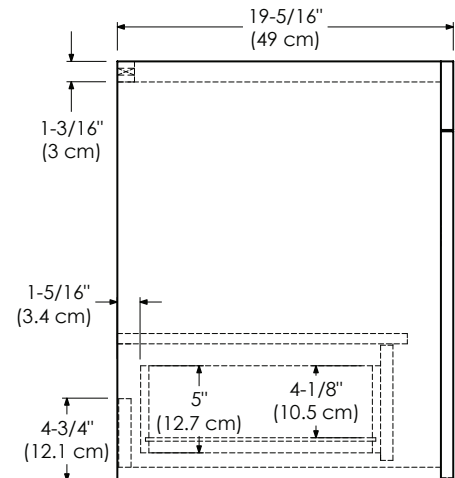
TOP VIEW



FRONT VIEW



SIDE VIEW



- Soft Close Wood doors
- Soft Close and Full Extension drawers with Dovetail construction
- Undermount glides
- Matching finish throughout the interior
- Extend design with Optional 12", 15" & 18" Drawer Bridge, 15" Shelf Bridge and 35" max Bridge Panel
- Optional Drawer Organizer
- Matching Mirror, Medicine Cabinet and Wall Cabinet
- Handles meet USA standards: 4" center to center

All Ronbow cabinets are made of solid hardwood or hardwood plywood and meet strict CARB Standards. No particle Board or Micro-Density Fiberboard (MDF) are used.

Available finishes:

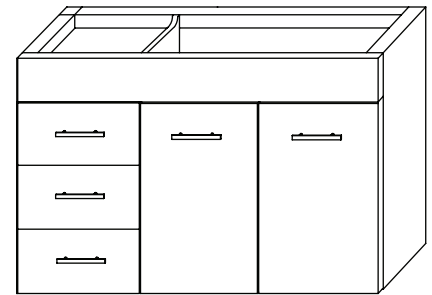
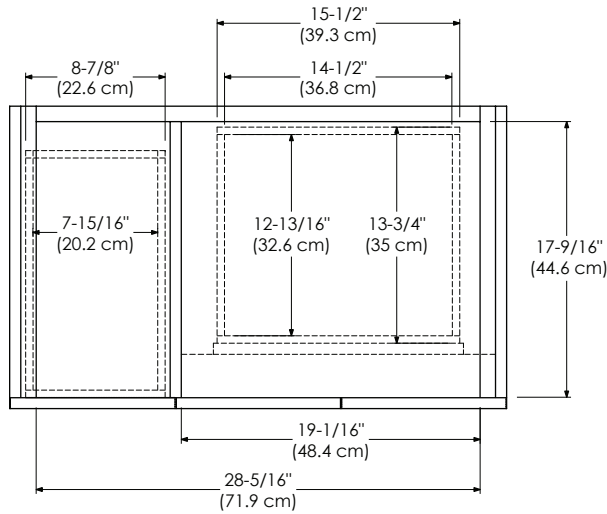
- CINNAMON F08
- DARK CHERRY H01
- WHITE W01

Available tops:

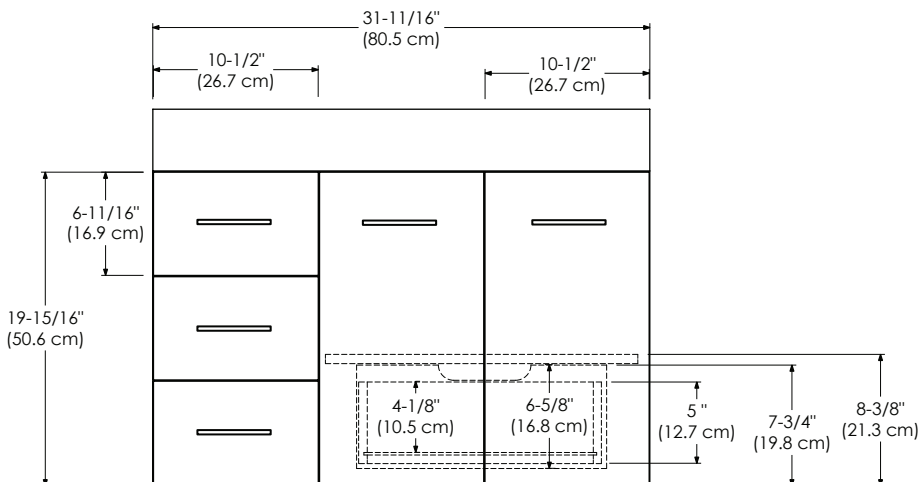
- CERAMIC SINKTOP
- GLASS SINKTOP
- TECHSTONE™ TOP
- WIDEAPPEAL™ TOP

Shown as left (R)

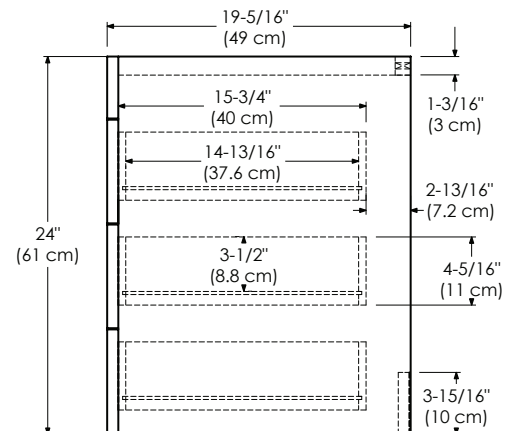
TOP VIEW



FRONT VIEW



SIDE VIEW



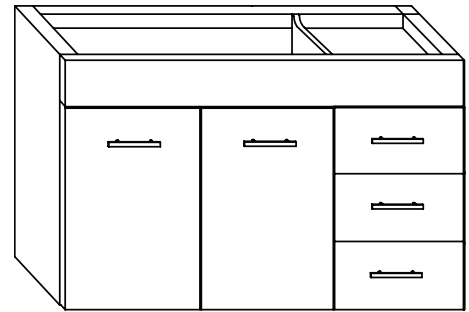
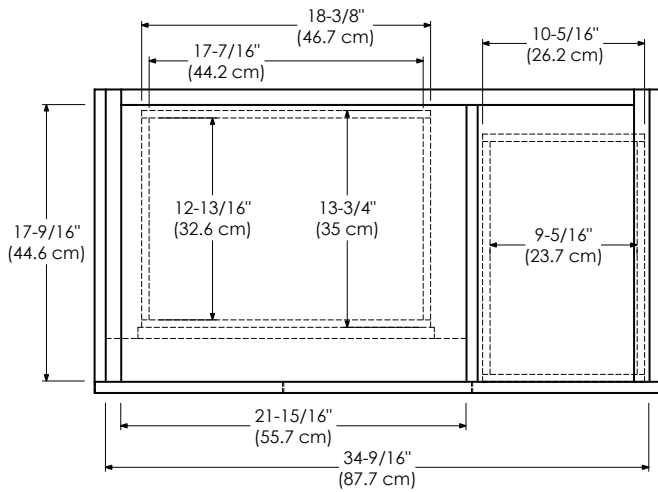
- Soft Close Wood doors
- Soft Close and Full Extension drawers with Dovetail construction
- Undermount glides
- Matching finish throughout the interior
- Extend design with Optional 12", 15" & 18" Drawer Bridge, 15" Shelf Bridge and 35" max Bridge Panel
- Optional Drawer Organizer
- Matching Mirror, Medicine Cabinet and Wall Cabinet
- Handles meet USA standards: 4" center to center

All Ronbow cabinets are made of solid hardwood or hardwood plywood and meet strict CARB Standards. No particle Board or Micro-Density Fiberboard (MDF) are used.

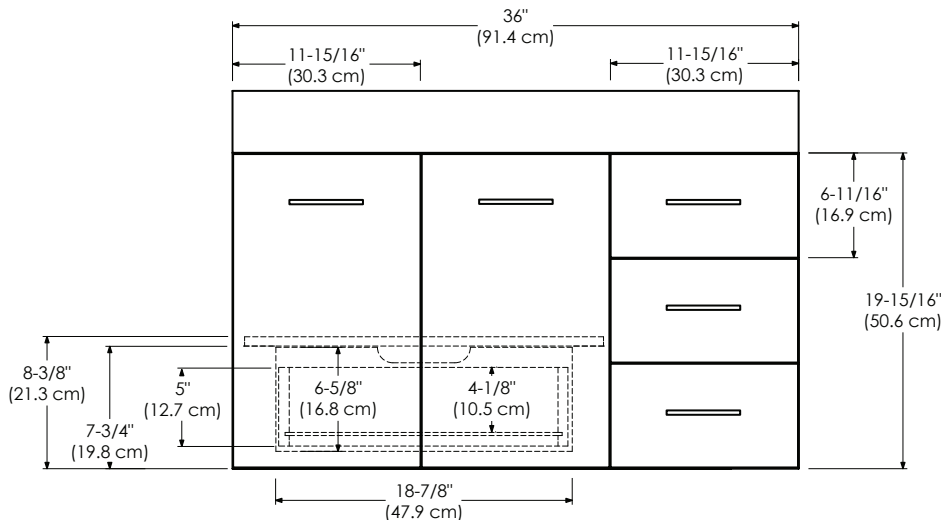
- | | |
|---------------------|-----------------|
| Available finishes: | Available tops: |
| CINNAMON F08 | CERAMIC SINKTOP |
| DARK CHERRY H01 | GLASS SINKTOP |
| WHITE W01 | TECHSTONE™ TOP |
| | WIDEAPPEAL™ TOP |

Shown as left (L)

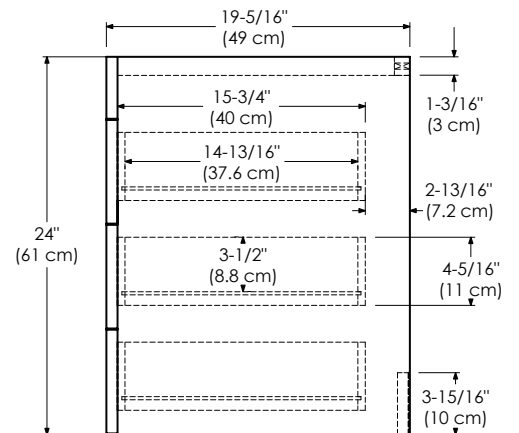
TOP VIEW



FRONT VIEW



SIDE VIEW



MODEL: 037023-7-FINISH

CONTEMPO COLLECTION

- Soft Close Wood doors
- Soft Close and Full Extension drawers with Dovetail Construction
- Choice of Wood or Metal legs
- Matching Finish throughout the Interior
- Extend design with Optional 12", 15" & 18" Drawer Bridge and 15" Shelf Bridge
- Matching Mirror, Medicine Cabinet, Wall Cabinet

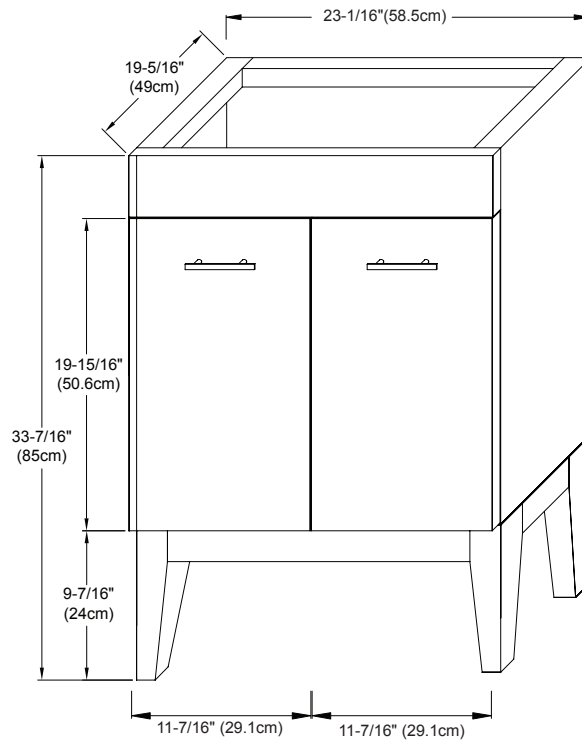
All Ronbow cabinets are made of solid hardwood or hardwood plywood and meet strict CARB Standards. No particle Board or Micro-Density Fiberboard (MDF) are used.

Available finishes:

- CINNAMON F08
- DARK CHERRY H01
- WHITE W01

Available tops:

- CERAMIC SINKTOP
- GLASS SINKTOP
- TECHSTONE™ TOP
- WIDEAPPEAL™ TOP



MODEL: 037031-7L-FINISH
037031-7R-FINISH

CONTEMPO COLLECTION

- Soft Close Wood doors
- Soft Close and Full Extension drawers with Dovetail Construction
- Choice of Wood or Metal legs
- Matching Finish throughout the Interior
- Extend design with Optional 12", 15" & 18" Drawer Bridge and 15" Shelf Bridge
- Matching Mirror, Medicine Cabinet, Wall Cabinet
- Door can be left (L) or right (R) side

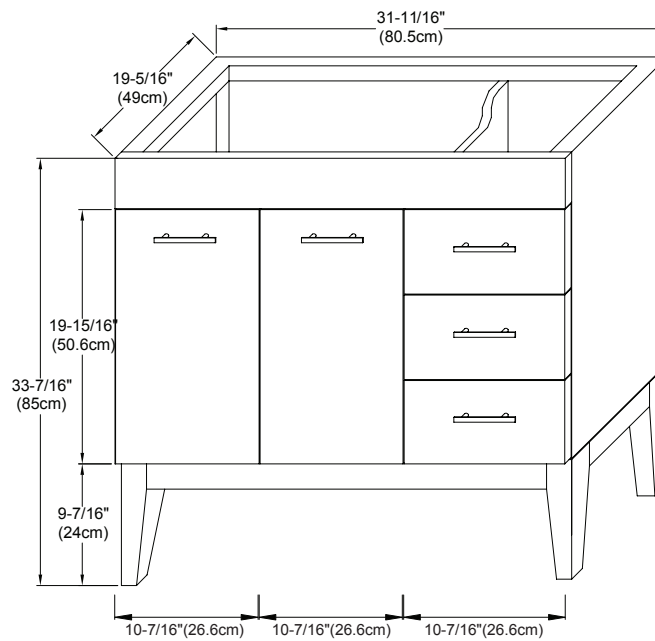
All Ronbow cabinets are made of solid hardwood or hardwood plywood and meet strict CARB Standards. No particle Board or Micro-Density Fiberboard (MDF) are used.

Available finishes:

- CINNAMON F08
- DARK CHERRY H01
- WHITE W01

Available tops:

- CERAMIC SINKTOP
- GLASS SINKTOP
- TECHSTONE™ TOP
- WIDEAPPEAL™ TOP



MODEL: 037036-7L-FINISH
037036-7R-FINISH

CONTEMPO COLLECTION

- Soft Close Wood doors
- Soft Close and Full Extension drawers with Dovetail Construction
- Choice of Wood or Metal legs
- Matching Finish throughout the Interior
- Extend design with Optional 12", 15" & 18" Drawer Bridge and 15" Shelf Bridge
- Matching Mirror, Medicine Cabinet, Wall Cabinet
- Door can be left (L) or right (R) side

All Ronbow cabinets are made of solid hardwood or hardwood plywood and meet strict CARB Standards. No particle Board or Micro-Density Fiberboard (MDF) are used.

- | | |
|---------------------|-----------------|
| Available finishes: | Available tops: |
| CINNAMON F08 | CERAMIC SINKTOP |
| DARK CHERRY H01 | GLASS SINKTOP |
| WHITE W01 | TECHSTONE™ TOP |
| | WIDEAPPEAL™ TOP |

