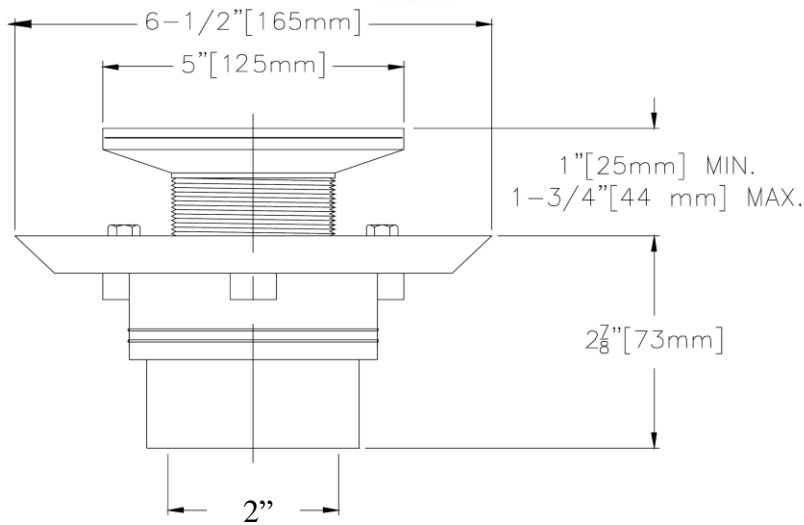


SD-CST-2

Cast Iron Rough Kit for Shower Drain

Includes SD-HED-2 and cast iron body with clamping collar



Meets the applicable requirements of ASME A112.18.1-2005/CSA B125.1-05, entitled "Plumbing Supply Fittings"