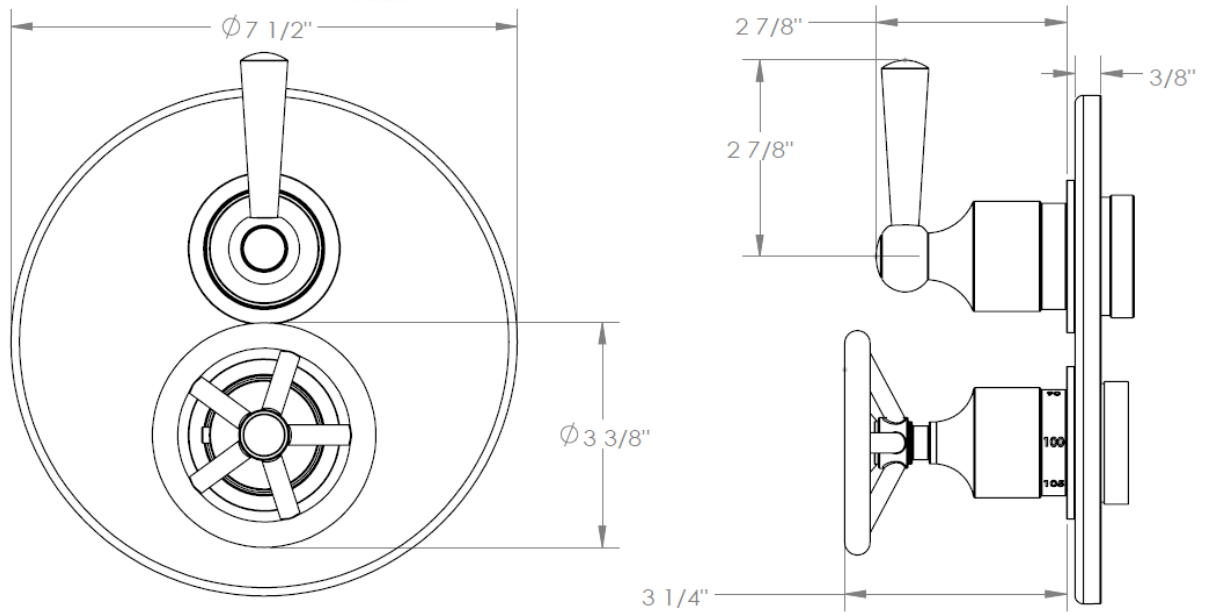


**31-THRMKT20-BK**

Trim Kit Only for Thermostatic Valve with Built In Volume Control



Meets the applicable requirements of ASME A112.18.1-2005/CSA B125.1-05, entitled "Plumbing Supply Fittings"

**WATERMARK DESIGNS 11/4/2014**

350 Dewitt Ave Brooklyn NY 11207 USA T 718 257 2800 F 718 257 2144 info@watermark-designs.com

**BK-TRIM**  
Brooklyn

