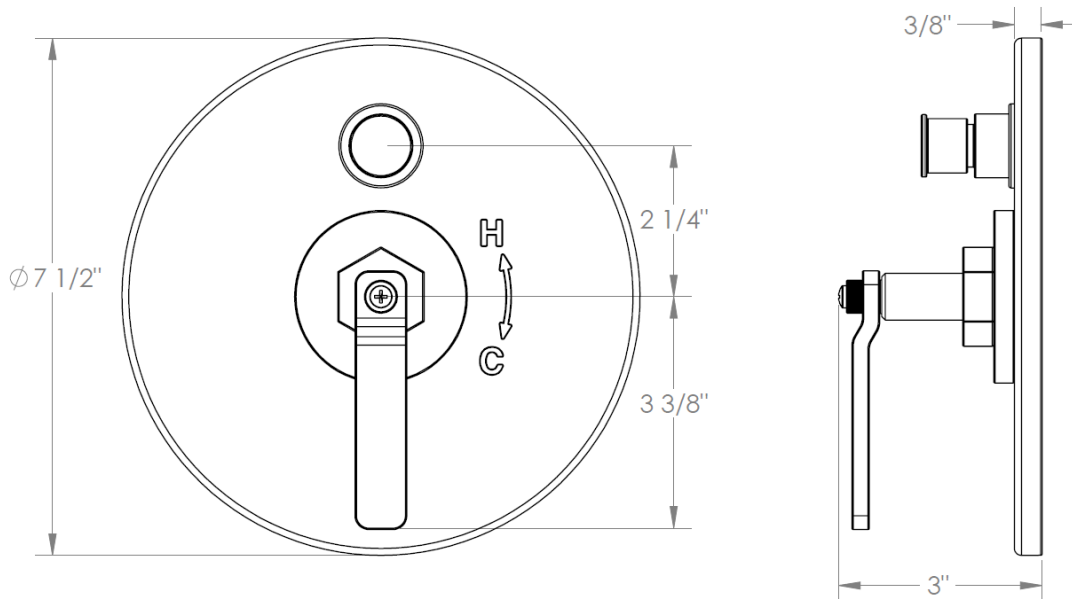


**SS-PBKT35-EV4**

Trim Kit for Pressure Balance Valve with Diverter



Meets the applicable requirements of ASME A112.18.1-2005/CSA B125.1-05, entitled "Plumbing Supply Fittings"