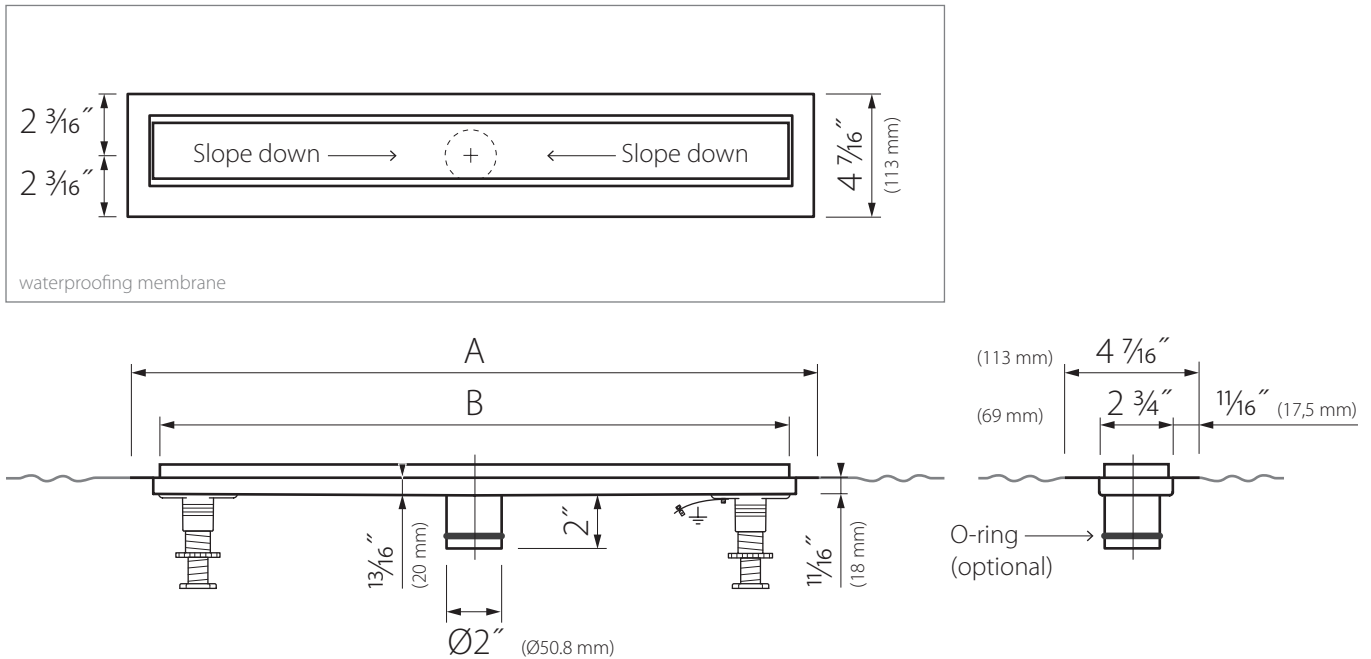


Dimensional Data are subject to manufacturing tolerances and can change without notice

FEATURES

- Stocked lengths ranging from 23 5/8" up to 47 1/4"
- Larger and smaller lengths available via special order
- Roughts made from stainless steel (306), grates made from stainless steel (316) & solid 1/8" plated brass
- Pre-attached flexible waterproofing membrane for a durable watertight installation
- Vertical outlet: 2" tail piece with o-ring
- Height adjustable grate for easy floor tile installation
- Grate can be removed for easy cleaning
- Height adjustable support legs that also easily level the drain
- Internally pitched rough
- Rubber gasket available for clamp drain installation (both sold seperately)
- Stainless steel collar available for threaded clamp drain installation (both sold seperately)
- Various designs and finishes available

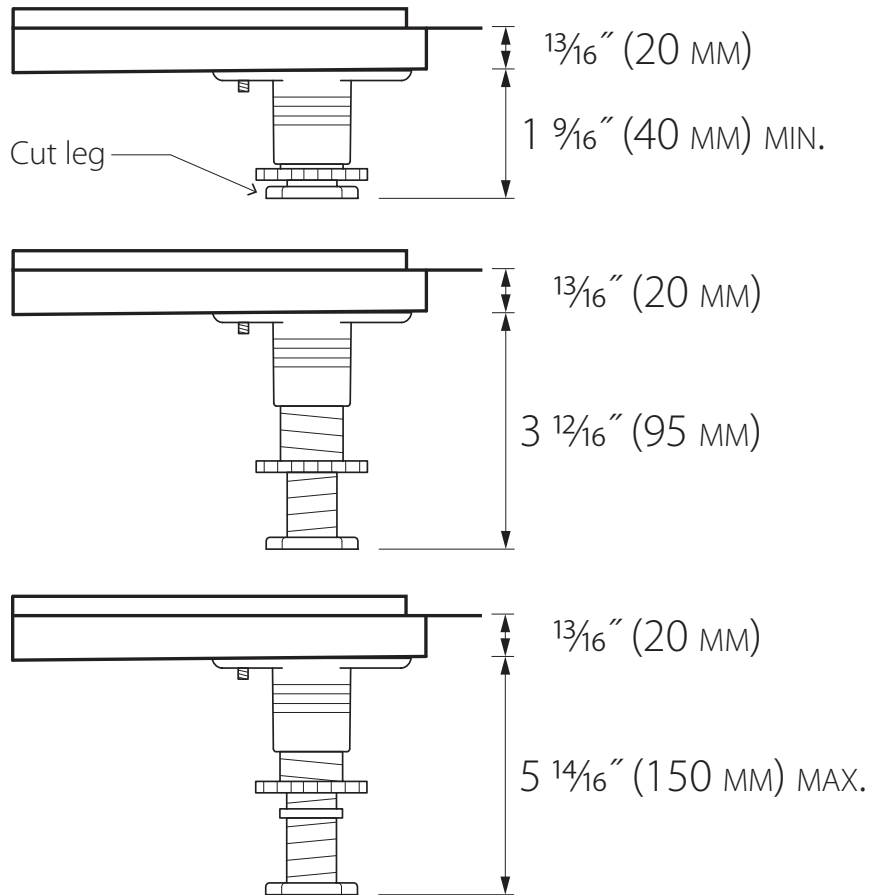


Rough code #	Dimensions			Approx. Weight	
	A (cm)	A (inches)	B (inches)	Rough. Wt. (lbs)	Grate. Wt. (lbs)
LDRK-24	60	23 5/8	22 1/4	3 lb 7 oz	1 lb 4 oz
LDRK-28	70	27 9/16	26 3/16	3 lb 15 oz	1 lb 7 oz
LDRK-32	80	31 1/2	30 1/8	4 lb 7 oz	1 lb 10 oz
LDRK-36	90	35 7/16	34 1/16	4 lb 15 oz	1 lb 14 oz
LDRK-40	100	39 3/8	38	5 lb 7 oz	2 lb 1 oz
LDRK-44	110	43 5/16	41 15/16	5 lb 15 oz	2 lb 4 oz
LDRK-48	120	47 1/4	45 14/16	6 lb 7 oz	2 lb 7 oz

Dimensional Data are subject to manufacturing tolerances and can change without notice

HEIGHT ADJUSTMENT - SUPPORT LEGS

- Height adjustable support legs which can extend the drain up to 6 11/16" in height
- For heights below 3 12/16" the bottom legs need to be cut at the center ridge
- For lowest possible height use the shims to level the drain rough



TILE HEIGHT ADJUSTMENT - GRATE

- Grate can be adjusted in height to match tile thickness from 3/16" (3 mm) to 11/16" (18 mm)

