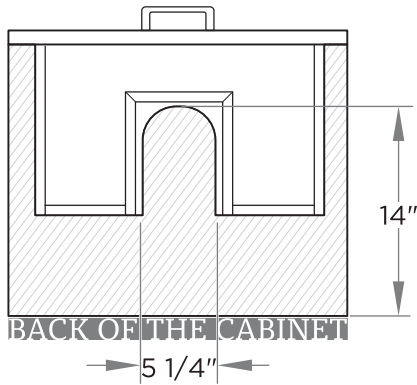




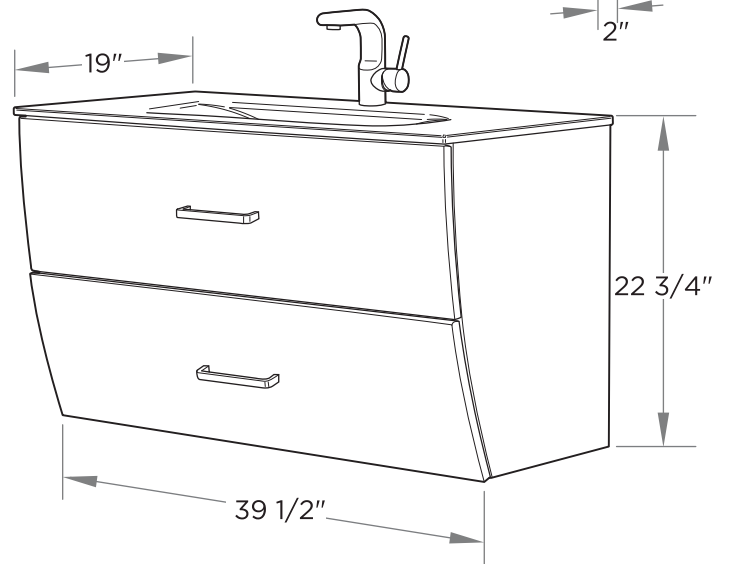
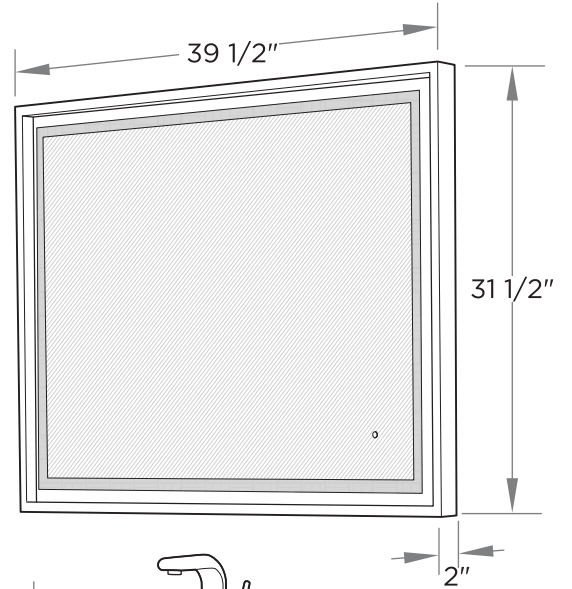
FPVN7640
WAVE
 INSTALLATION GUIDE



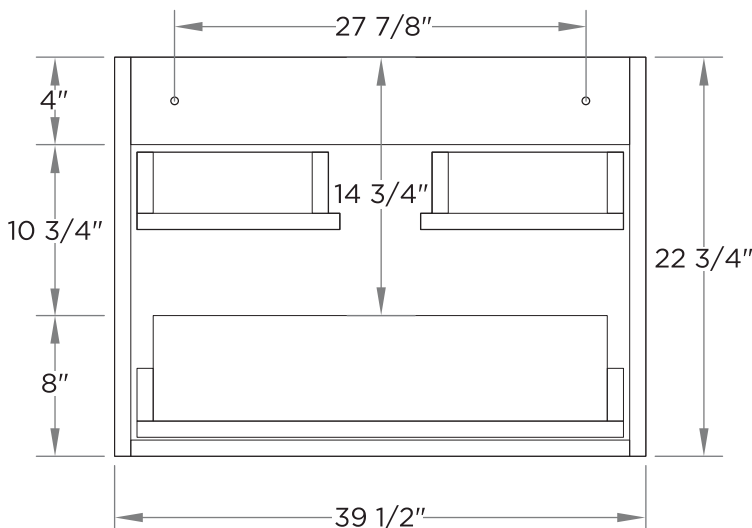
DIMENSIONS:



DRAWER
 top view



VANITY ENSEMBLE
 front view

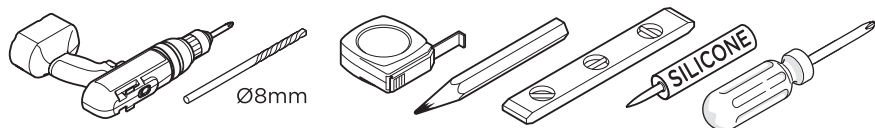


CABINET
 rear view

ALL DIMENSIONS & SPECIFICATIONS ARE APPROXIMATE AND SUBJECT TO CHANGE WITHOUT NOTICE.

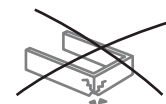
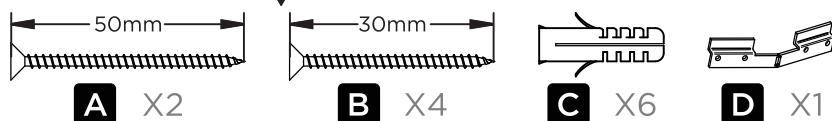
INSTALLATION INSTRUCTIONS:

TOOLS REQUIRED FOR ASSEMBLY



Note:
Please read assembly instructions carefully before the installation.

PARTS



Note:
The factory is not responsible for any damage caused by wrong installation.

1. Fold the bracket (D) where the mark is and break it in half (See Illustration 1).

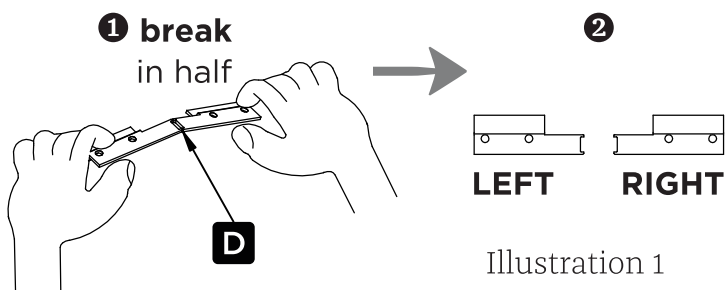
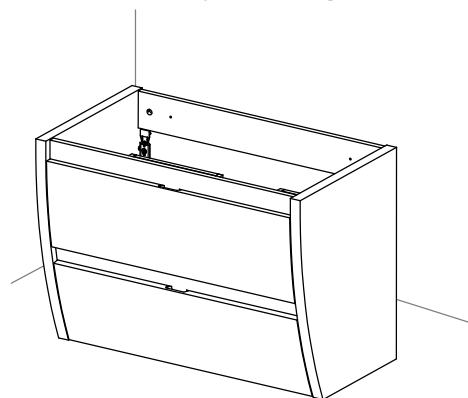
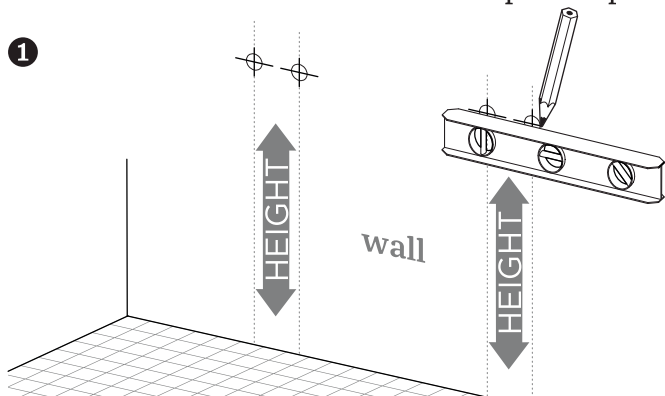


Illustration 1

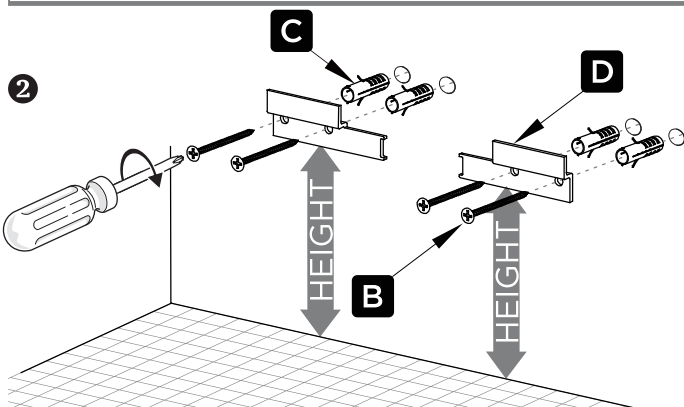
2. Place the vanity to designated position.



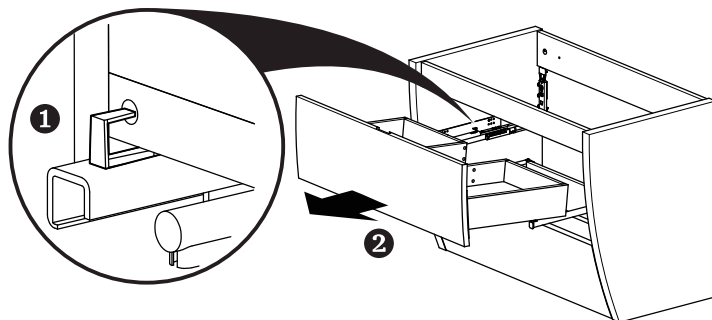
3. ① Measure the height at which the cabinet should be mounted. ② Install wall mount brackets and anchors for top back plate.



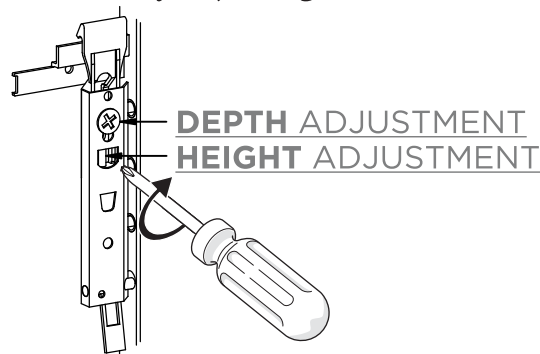
Note: Use anchors (C) only if stud (2" x 4" frame) is not available.



4. Remove drawers by pulling release hooks underneath.

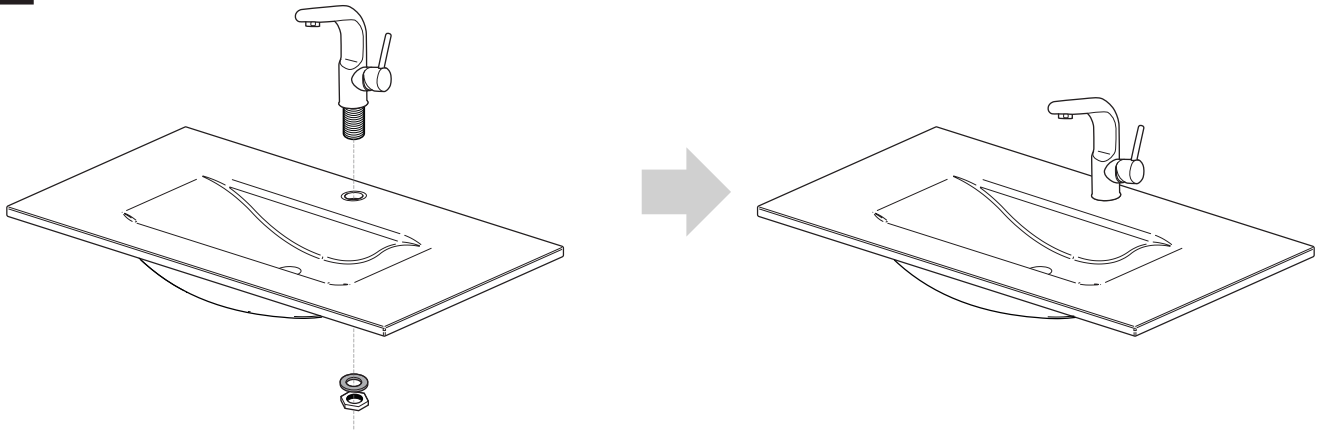


5. When hanging the cabinet you can adjust the height and level of the cabinet by adjusting the bracket.

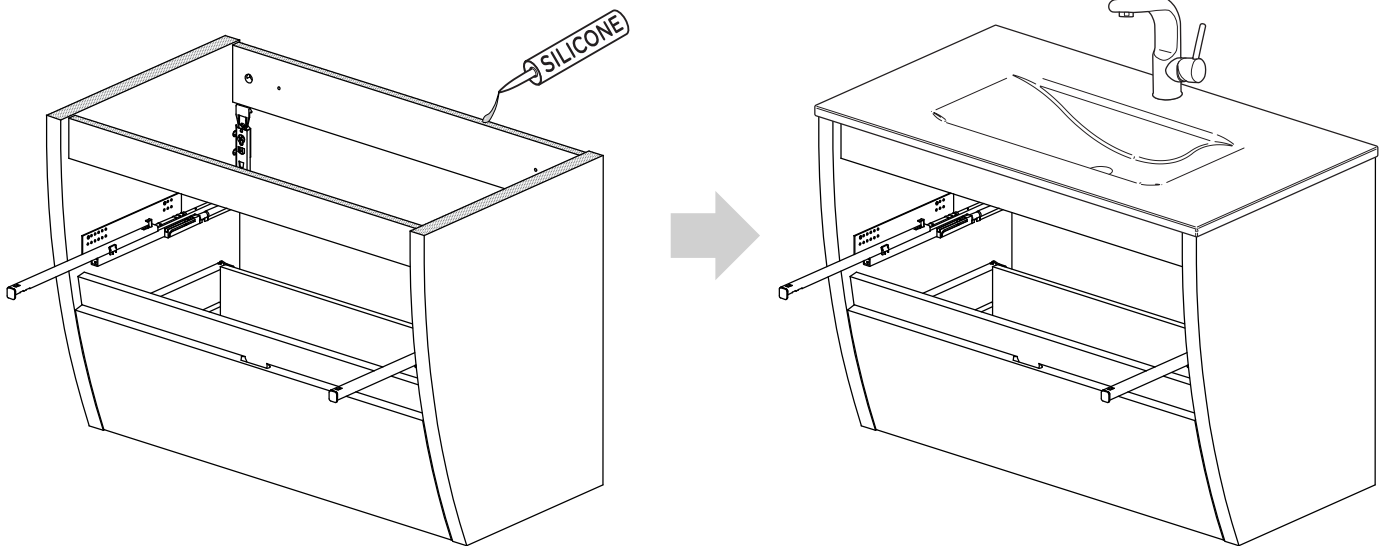


INSTALLATION INSTRUCTIONS:

- 6.** Attach the faucet to the sink securing it with a rubber washer and brass nut.

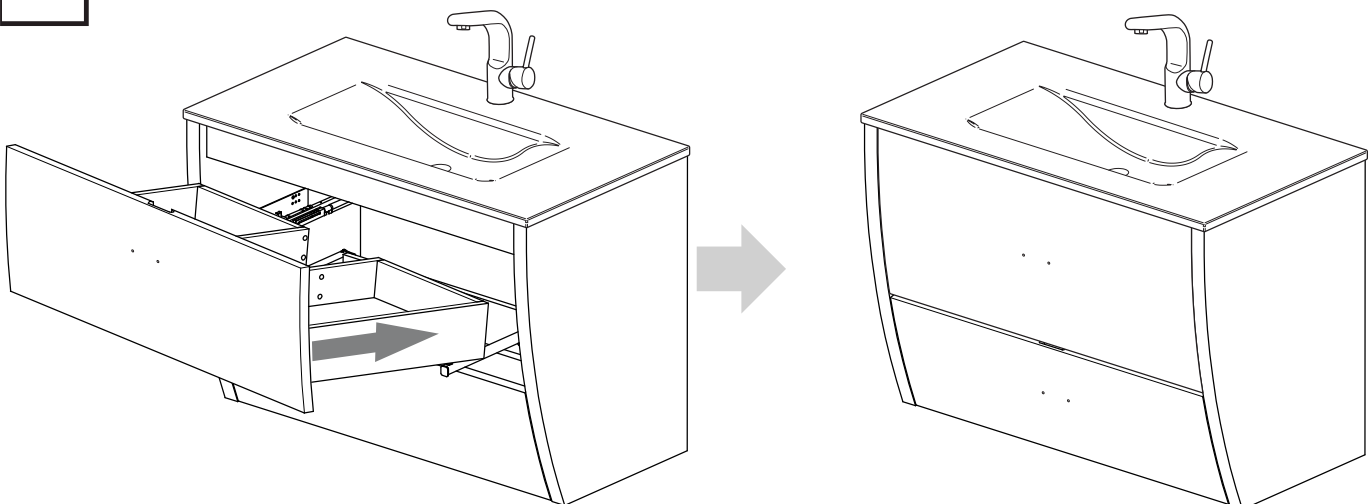


- 7.** Install the sink by placing it on top of the cabinet and securing with silicone.



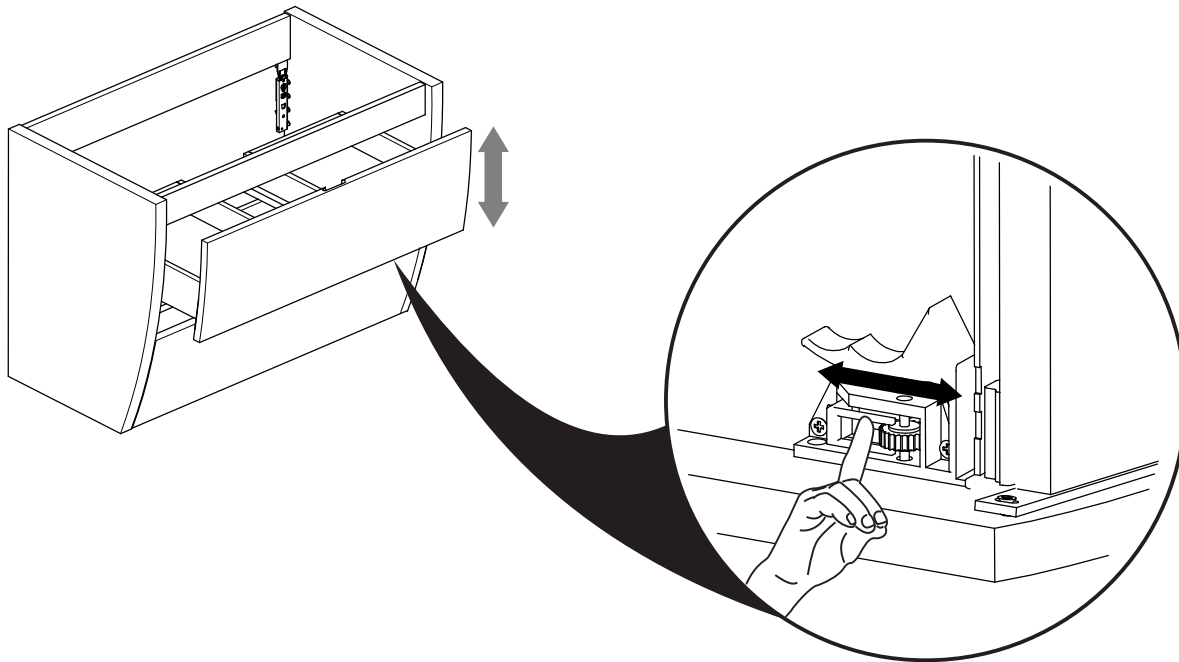
- 8.** Install all plumbing components (refer to pg. 5 & pg.6).

- 9.** Place the drawers back by simply inserting them back.

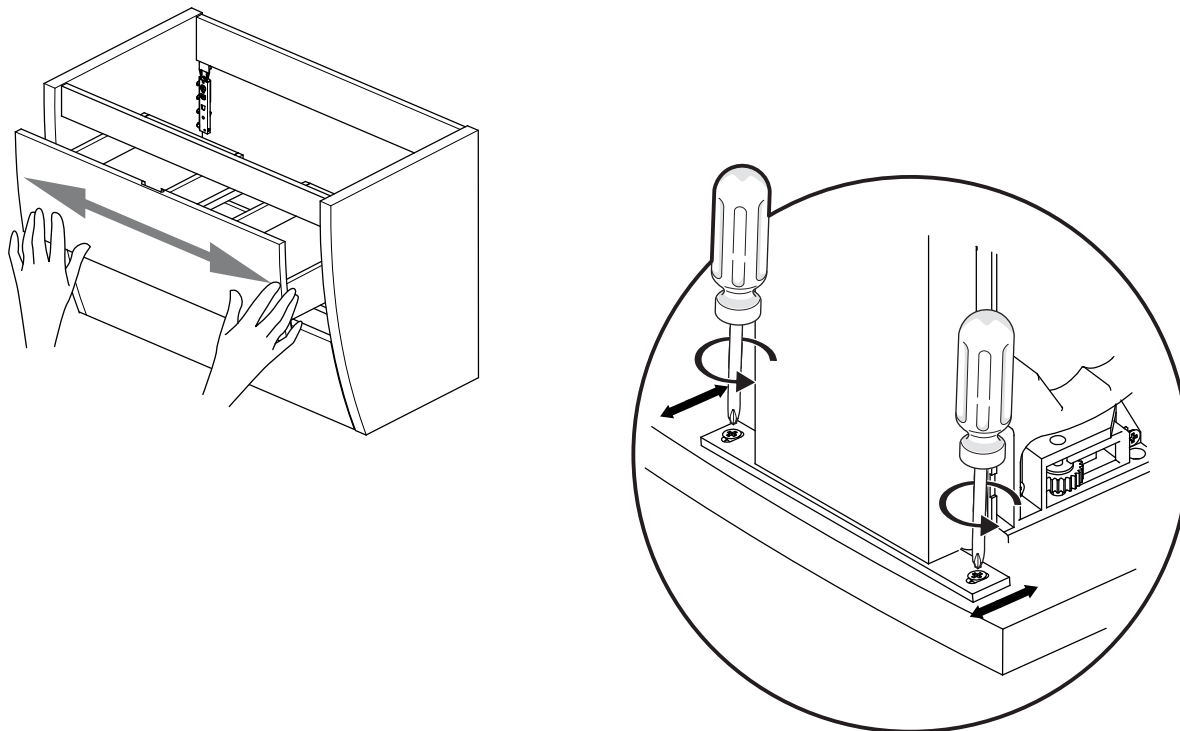


FRONT DRAWER ADJUSTMENT:

VERTICAL ADJUSTMENT



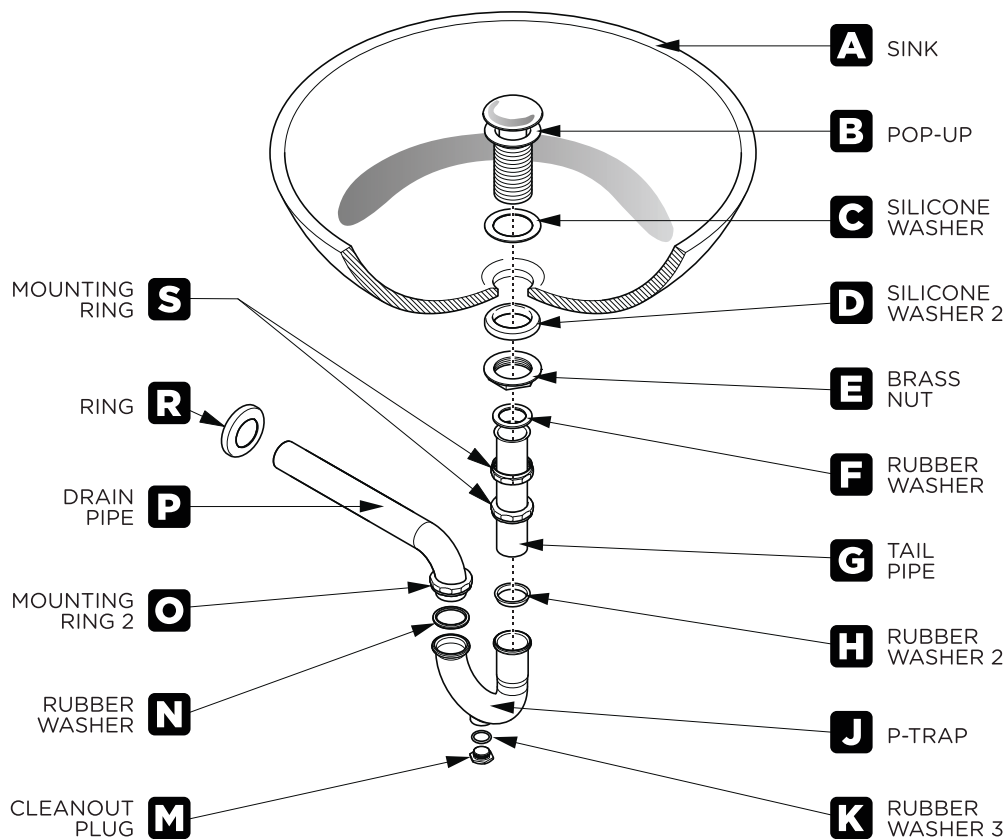
HORIZONTAL ADJUSTMENT



POP-UP & P-TRAP

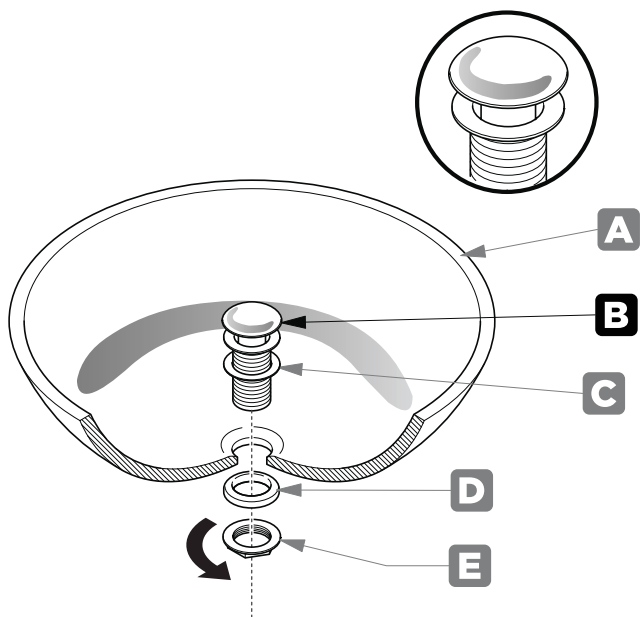
INSTALLATION INSTRUCTIONS:

Your item may appear slightly different from the illustration.



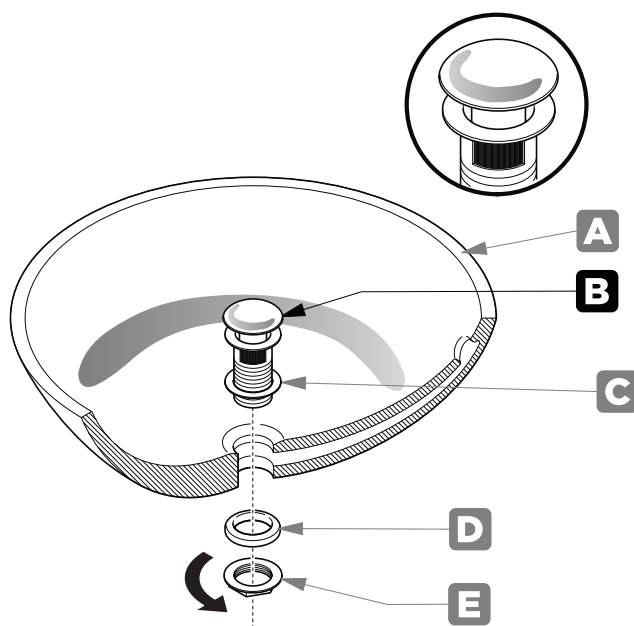
POP-UP INSTALLATION

FOR SINKS
WITHOUT OVERFLOW



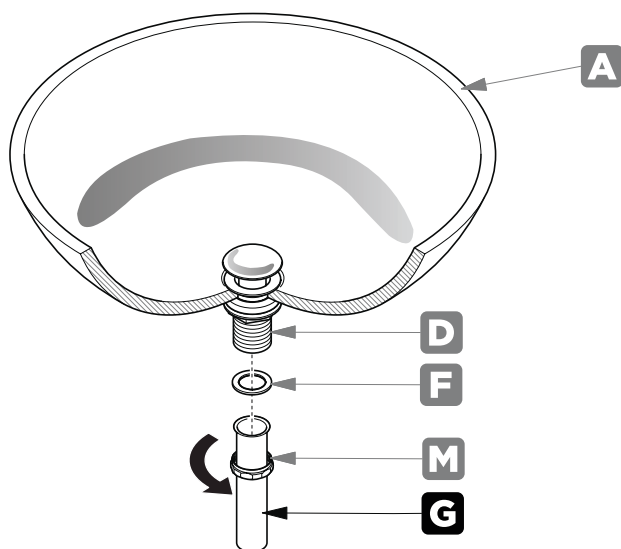
OR

FOR SINKS
WITH OVERFLOW



P-TRAP INSTALLATION

1. Install tail pipe (G).



2. Install P-trap (J).

