

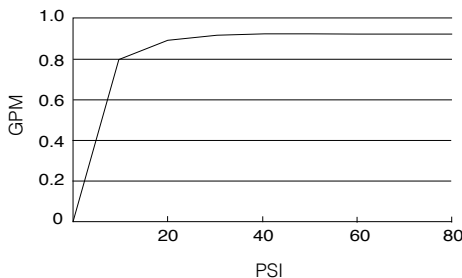
**SPECIFICATIONS**

**AERATOR KIT 1.0GPM SPRAY STANDARD MALE**

**Description**

- Flow rate at 1.0 gallon per minute
- Spray flow pattern
- Male thread
- Insert provided by Neoperl (A5.9046.0.0002)
- Pressure compensating between 20 psi and 80 psi
- Rolling printed "A112.18.1M 1.0 gpm ( 3.8 L/min ) Max"
- Manufactured to Meet CEC Requirements

**Flow Rate**



**Standards**

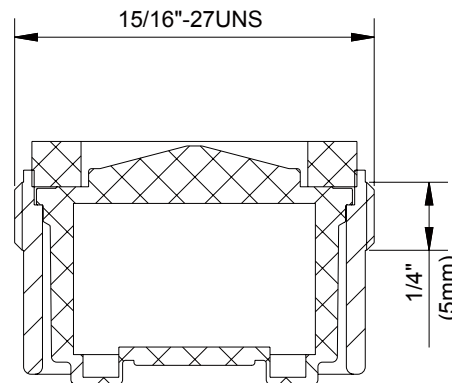
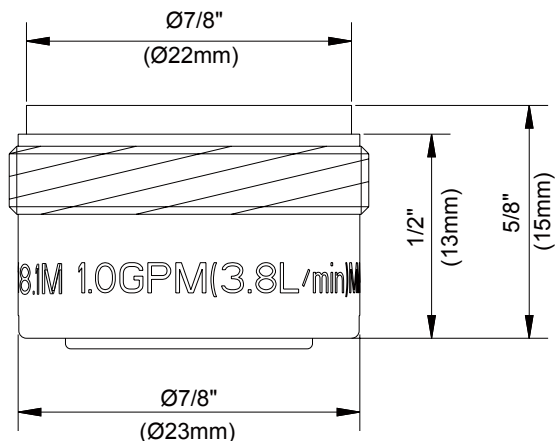
MEETS ASME A112.18.1M/ A112.18.1 • ASME A112.18.1M/ A112.18.1

**Finishes Available**

- Chrome
- Antique Copper(AC)
- Brushed Nickel(BN)
- Polished Brass(PBV)
- Oil Rubbed Bronze(RB)
- Tumbled Bronze(BR)
- Distressed Bronze(RBD)
- Stain Black(BS)

**Warranty**

Danze products are covered by a manufacturer's lifetime limited warranty for manufacturing defects.



**Submittal Information:**

Job Name: \_\_\_\_\_  
 Contractor: \_\_\_\_\_

Location: \_\_\_\_\_  
 Contact #: \_\_\_\_\_