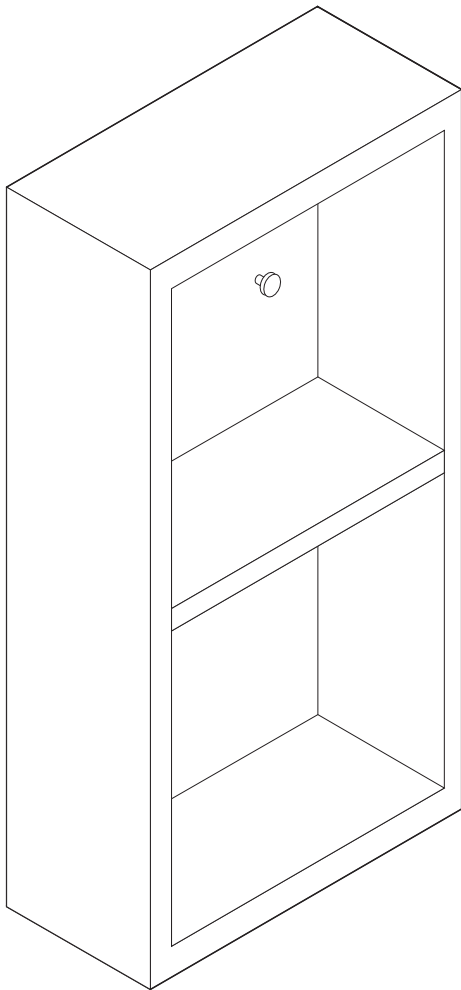
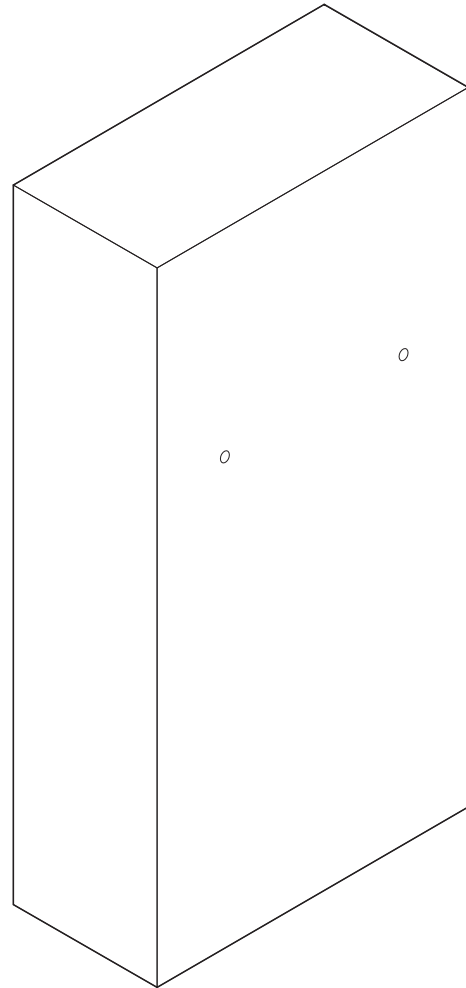


FST8092 LINEN SIDE CABINET

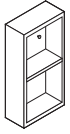
INSTALLATION GUIDE



Linen
Side Cabinet
front view



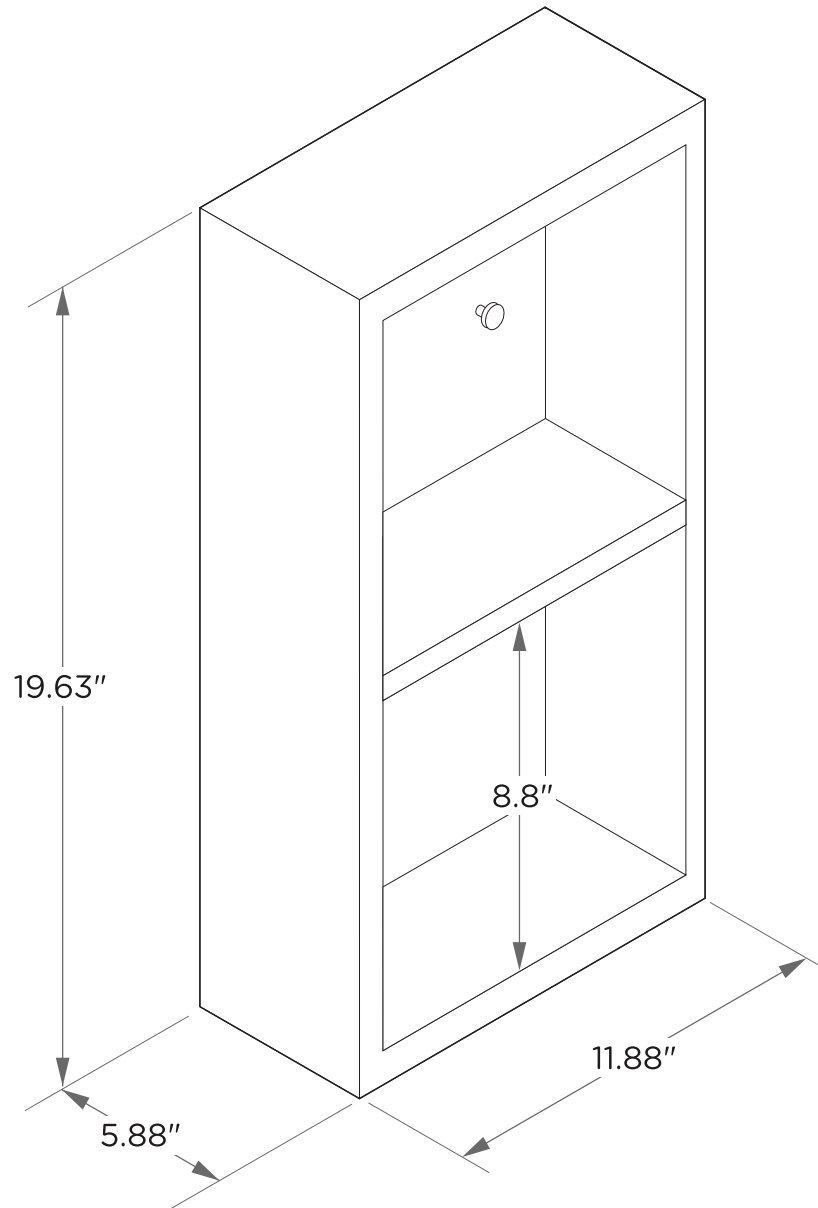
Linen
Side Cabinet
rear view



FST8092 LINEN SIDE CABINET INSTALLATION GUIDE



DIMENSIONS

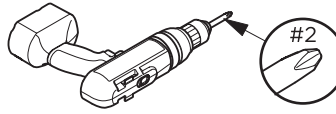


NOTE: ALL DIMENSIONS & SPECIFICATIONS ARE APPROXIMATE AND SUBJECT TO CHANGE WITHOUT NOTICE.

LINEN SIDE CABINET INSTALLATION

- 1** Mark the wall with a pencil using a level for the mounting position.

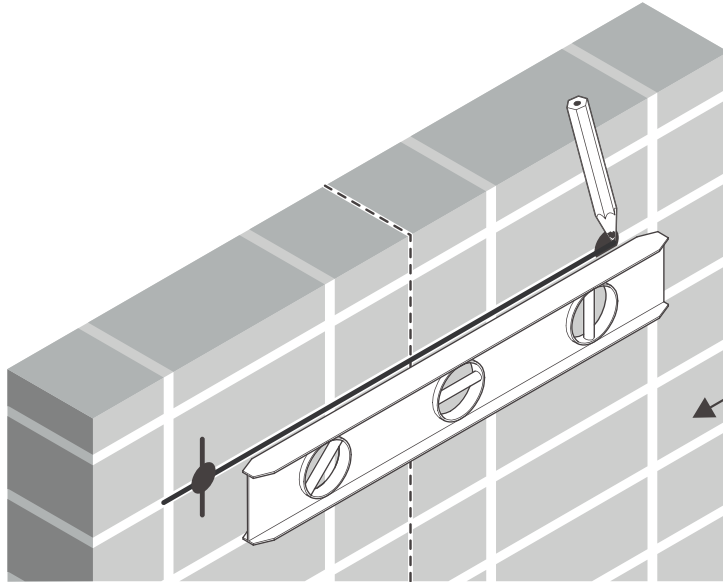
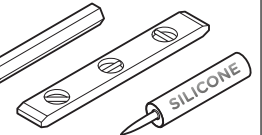
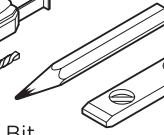
TOOLS FOR ASSEMBLY



#2



1/8" Drill Bit



NOTE: Consult an expert for the proper screws/bolts to use when attaching to various constructions. Screws provided do not attach to all wall construction types. Anchors are not required if brackets are installed in the stud.

- 2** Attach side cabinet to the wall with screws using a drill.

