

BIO BIDET  
BBC-200 & 250



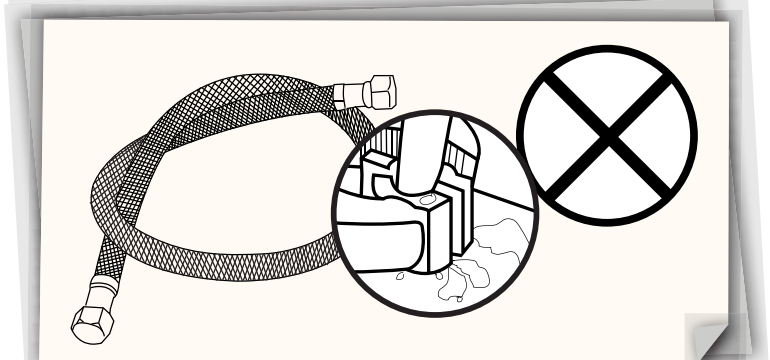
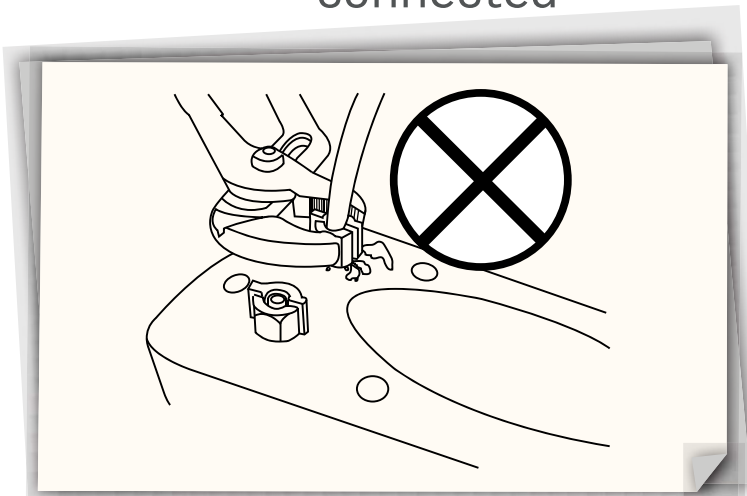
Installation  
Manual &  
operating  
Instructions

**WARNING**

Do Not over-tight plumbing connections.

Over-tightening plumbing connections can damage parts and cause leak.

Both Hot & Cold must be connected



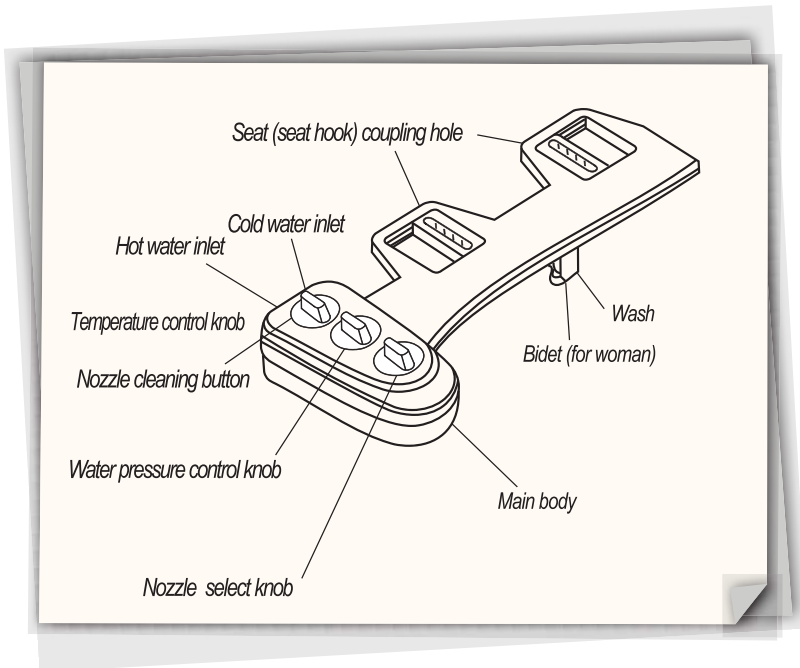
# CONTENTS

Functions and Characteristics .....	4
Parts list .....	5
Configuration .....	6
Final Assembly .....	7
Installation Instruction .....	8
Maintenance .....	10
Warranty .....	12
Contact	

- ● ● ● ● ➤ Read this manual carefully and install properly
- ● ● ● ● ➤ This product should be installed accordingly to the manual
- ● ● ● ● ➤ Keep this manual for future reference

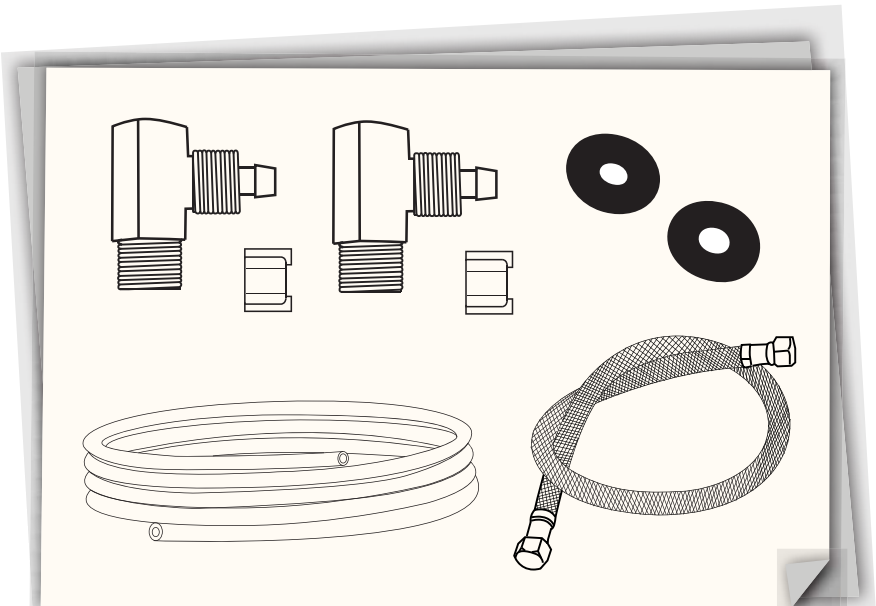
## Functions and Characteristics

- Ambient Temperature bidet model
- Ingenious splash guard
- Continuous Controlled Water Stream
- No electricity or battery required
- Connects directly to fresh water line
- Built-in Cold water by- pass
- Adjustable Pressure Control
- Quality silver brass parts
- Brass T valve
- Removable nozzle for better hygiene
- Splash Guarded Nozzle
- P.S.P.C (Positive Stepping Pressure Control)
- Double sided body panel

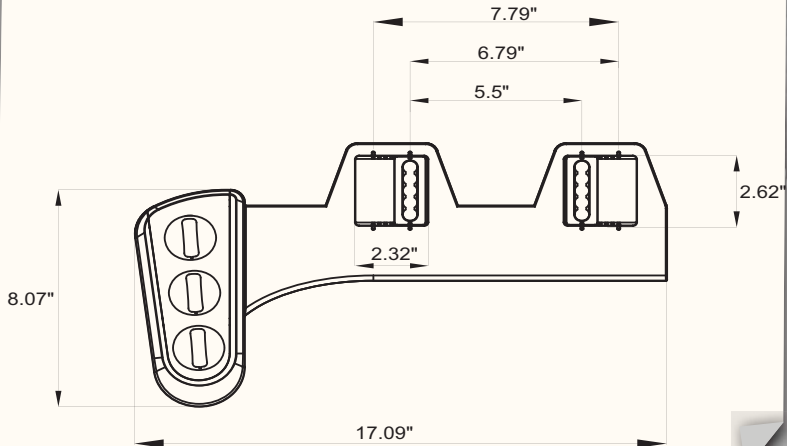


## Parts List

Name	Quantity
3/8" T Valve	2
Hot water tube	1
Cold water hose	1
Protective O rings	2
Owner's Manual	1



# Configuration



## bio bidet Silver Brass flow valve

Silver Brass Ball  
Water Flow Valve for  
precise flow control

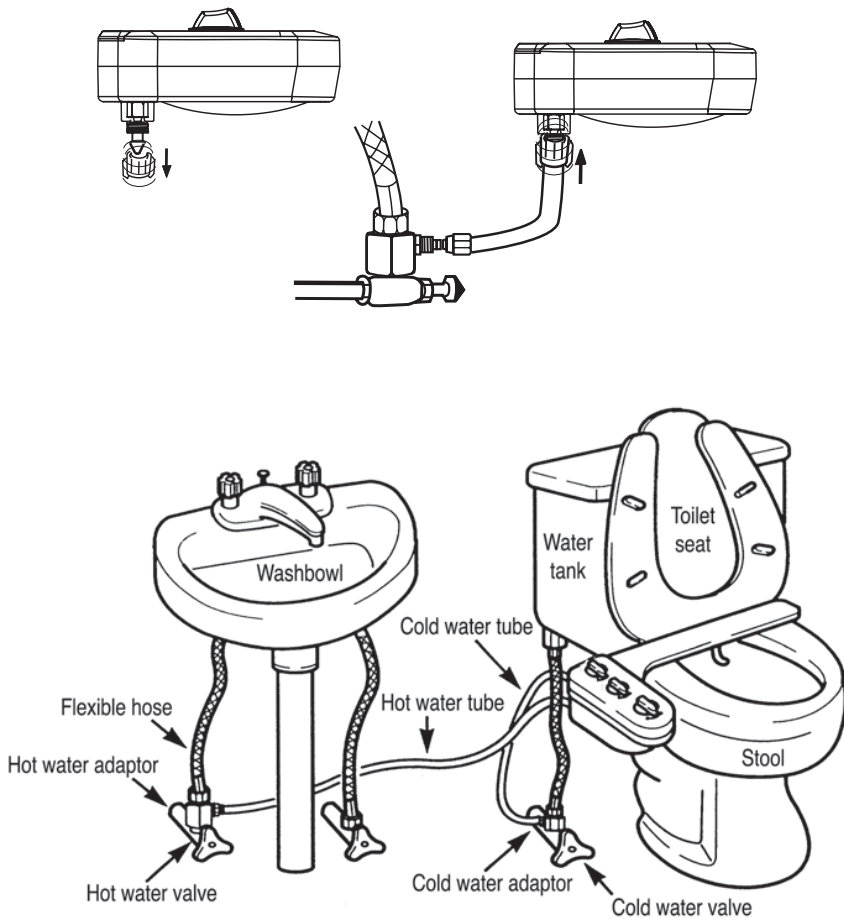
Silver Brass Pressure  
Control Stem for maximum  
durability

Quality ABS Resin



COPY RIGHT® BIO BIDET

Supplied Wing-Nuts MUST be used on all inlet connections



# Installation Instruction

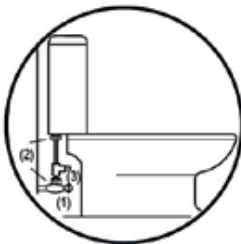
## 1. BEFORE INSTALLATION | CHECK POINTS

- **Check the size of the connection at your water supply valve.**
- 3/8" – proceed to step 2
- 1/2" – Contact Bio Bidet for 1/2" conversion nut
- Rigid pipe – Contact Bio Bidet for 7/8" T-valve

**Supplied T valve is 3/8". Conversion nuts will be supplied at no charge on demand only.**

## 2. PROCEDURES OF ASSEMBLY

1



Shut water supply by turning it to the right and disassemble the water hose.  
Flush toilet to drain water inside of toilet water tank before disassemble the water hose.

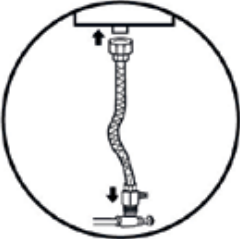


2



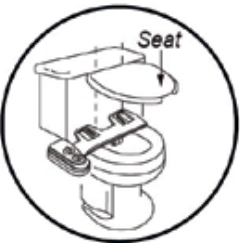
Remove Existing seat and lid.  
Release the bolts on both side of  
the existing toilet seat.

3



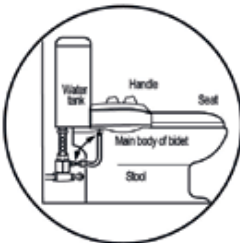
Connect the water supply hose to  
the supplied T-Valve.  
If supplied T-valve does not fit to  
your existing shut off valve,  
contact the manufacturer for  
conversion nut.

4



Mount bidet and toilet seat/lid  
over toilet mounting holes.  
Supplied rubber O-rings should be  
placed under the bidet mounting  
bracket to protect and secure  
bidet on the toilet.

5



Connect water supply hose.

## Maintenance

To clean the nozzle, gently pull down on the head of the nozzle, and use a toothbrush of soft cloth and mild detergent to clean the nozzle. You may also remove entire nozzle assembly and soak it into mild detergent.

Do not use any harsh, abrasive products to clean Simplet BBC-50, which may damage surface of the product.



## Warranty

Your Bio-Bidet, when delivered to you in a new condition in its original container,

Is warranted against defects in materials or workmanship for one (1) year from the Date of original purchase .Defective parts or a defective product returned to BBC innovation will be repaired with new or comparable rebuilt parts or exchanged for a Refurbished Bio-Bidet as determined by BBC innovation in their sole discretion

**This limited warranty given by BBC innovation covers all defects encountered in normal use of Bio-Bidet, and do not apply in the following cases:**

1. Loss of or damage to Bio-Bidet due to abuse, misuse, tampering, mishandling, improper packaging by you, alteration and fallow operating instructions.
2. Use of parts or supplies (other than those by BBC innovation's dealers) that cause damage to Bo-Bidet.
3. Replacement of discolored or stained parts caused by chlorine, bleach, ammonia and other chemicals, cleaning supplies, oxidation, normal wear and tear.
4. Damage to or malfunction of the unit as a result of improper and negligent installation.

5. Any and all damages to plumbing, walls, floors, ceiling and personal properties resulting water leaks or breakage. The product must be used at the user's own risk. Therefore, the owner hereby releases the manufacturer and distributor from any and all claims for damages where the above condition exists.

No implied warranty, including any implied warranty of merchantability or fitness or a particular purpose, applies to BBC innovation bidet after the applicable period of the express limited warranty stated above, and no other express warranty or guaranty, except as mentioned above, given by any person or entity with respect to Bio-Bidet shall bind BBC innovation,(Some States and provinces do not allow limitations on how long an implied warranty, so the above limitation may not apply to you) BBC innovation shall not be liable of revenues or profits, inconvenience, expense for substitute equipment or service, or any other special, incidental or consequential damages caused by the use or misuse of, or inability to use, Bio-Bidet, regard-less of the possibility and foresee-ability of such damages. In no event shall recovery of any kind against BBC innovation be greater in amount than the purchase price of the product and causing the alleged damage. Without limiting the foregoing, you assume all risk and liability for loss, damage or injury to you and your property and to others and their property arising out of use or misuse of ,or inability to use, the Bio-Bidet not caused directly by the negligence or BBC innovation This limited warranty shall not extend to anyone other than the original purchaser of the Bio-Bidet

*Thank You*

Technical support / Customer Server

BBC Innovation Corp  
205 Berg ST Algonquin, IL 60102

T : 847.458.2334  
U.S Toll Free : 877.339.5214

[support@biobidet.com](mailto:support@biobidet.com)  
[www.biobidet.com](http://www.biobidet.com)