

SPECIFICATIONS

SIRIUS™ TWO HANDLE WALL MOUNT LAVATORY FAUCET

Model

D316244 (Replaces D301644 series)

Description

- Ceramic disc valve
- 10" spout length
- Natural water stream
- Metal touch down drain assembly
- 3 hole wall mount

Standards



- NSF 61-9
- Energy Policy Act of 1992

Certified to NSF/ANSI 61 Section 9



NSF/ANSI 372

- ASME A112.18.1/A112.18.1
- NSF/ANSI 372
- CSA B125.1

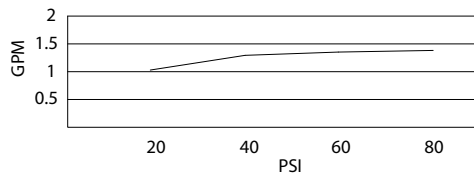


- ADA Accessibility Guidelines for Buildings and Facilities - 4.27.4 Controls and Mechanisms

Warranty

Danze products are covered by a manufacturer's limited "lifetime" warranty for manufacturing defects.

Flow Rate

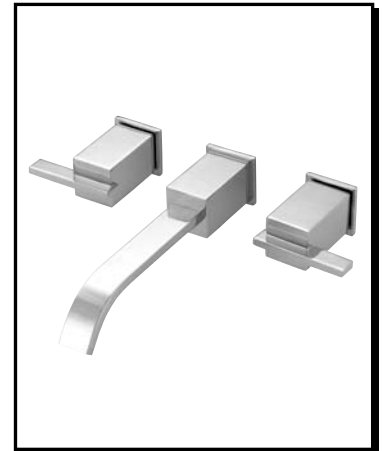


Certified by IAPMO R&T

Trim Kits : (for use w/ rough-in valves)
D316244T

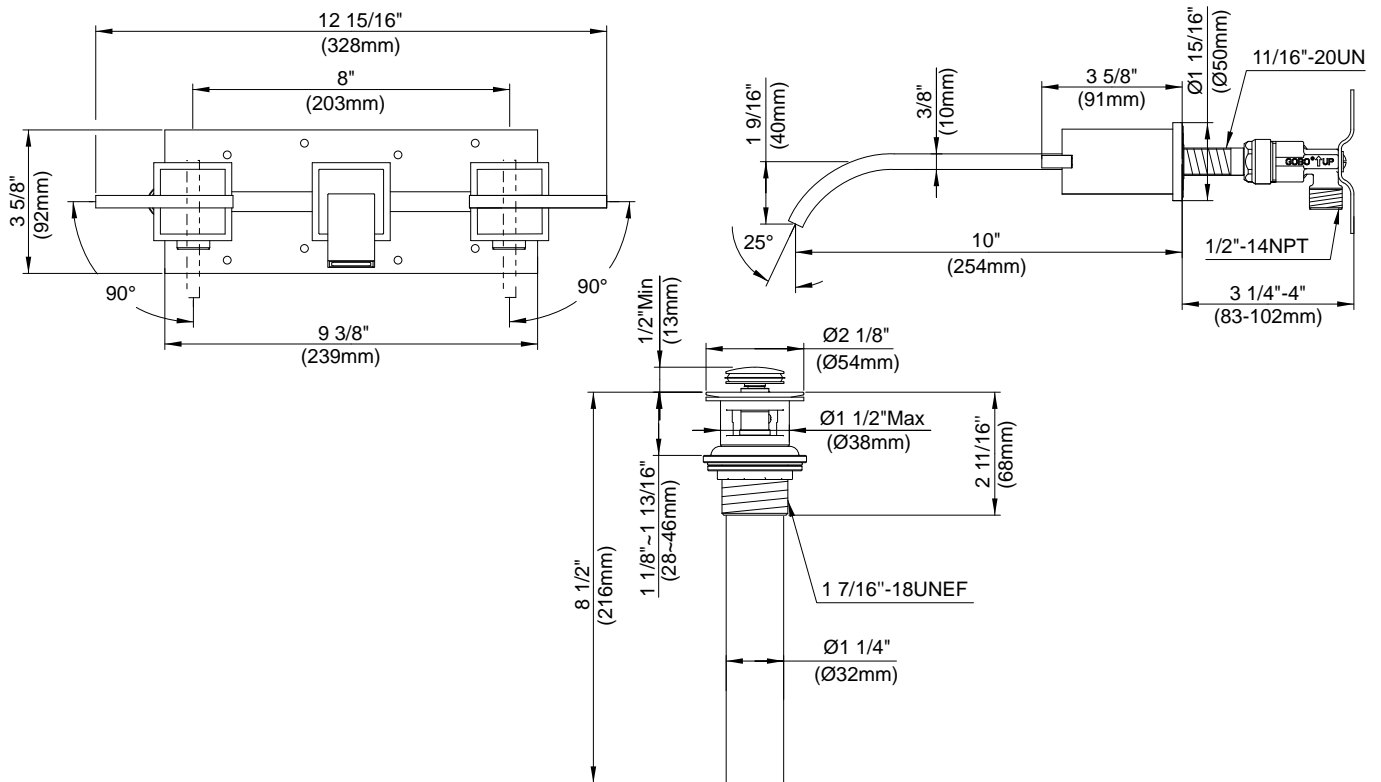
Special Packaging

- This product also available with trim and valve packaged separately.
- Use with rough-in valve D106800BT: Combination 1/2" copper sweat/IPS connection
- Model numbers for trim kit items include the suffix "T"



Finishes Available

- Chrome
- Other: Refer to Price List for additional finish



Submittal Information:

Job Name: _____
Contractor: _____

Location: _____
Contact #: _____