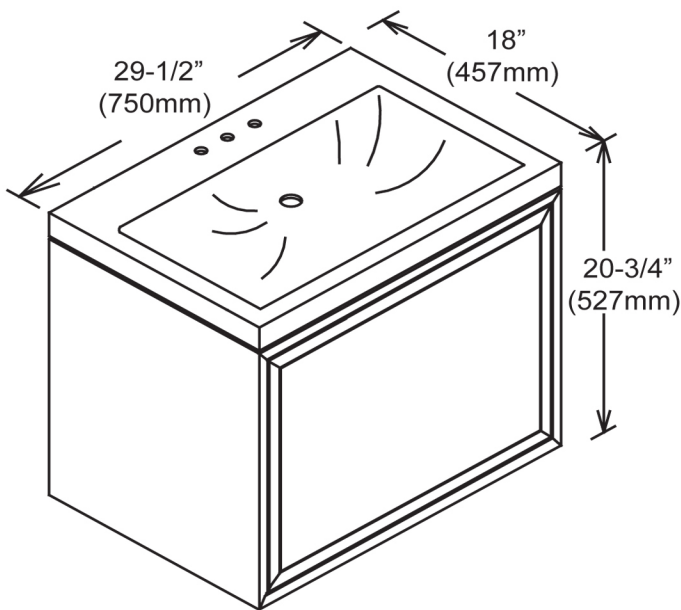


110-WV30

30" Wall Vantiy/Sink w/Overflow

Please see MG-9075AB for sink dimension



SPECIFICATION SHEET

Features

Materials: Red Oak solids with
Red Oak veneers

Glides: Soft closing

Drawers: 1

Drawer Boxes: 1/2" solid pine, four sided
English dovetail

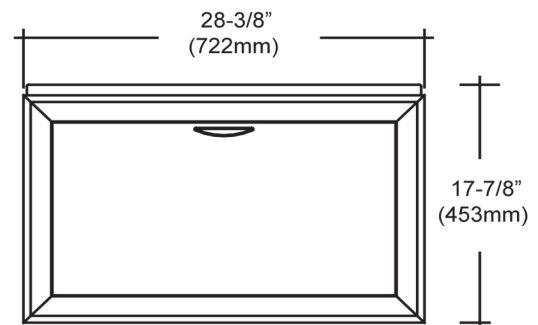
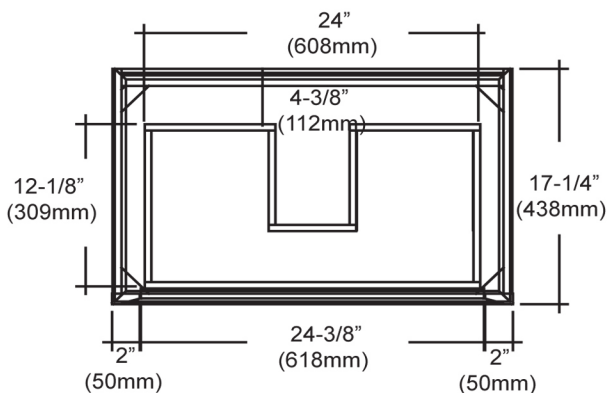
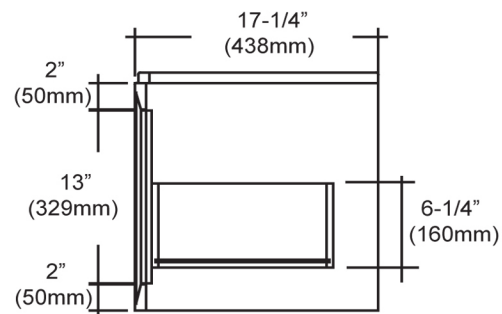
Back panel: Fully covered

Side Panels: 5/8" PB with Red Oak veneers

Includes: Sink (1)

Colors/ Finish

110-Espresso



S-11030W8

