

# 110-WV21

## 21" Wall Vantiy

Please see MG-7084D for sink dimension

### SPECIFICATION SHEET

#### Features

Materials: Red Oak solids with  
Red Oak veneers

Glides: Soft closing

Drawers: 1

Drawer Boxes: 1/2" solid pine, four sided  
English dovetail

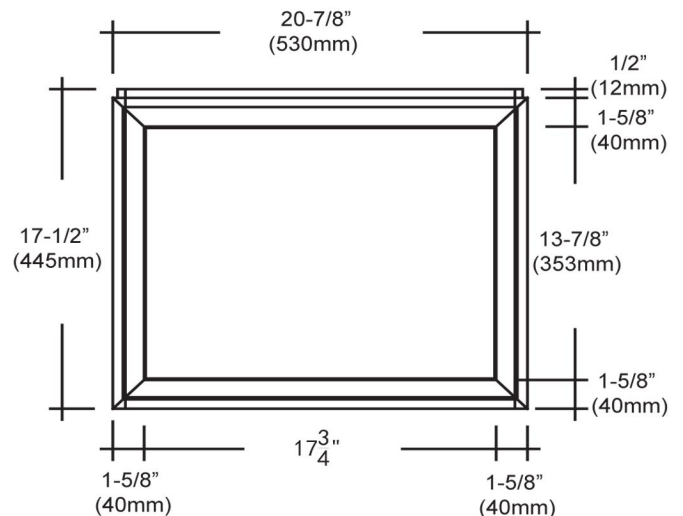
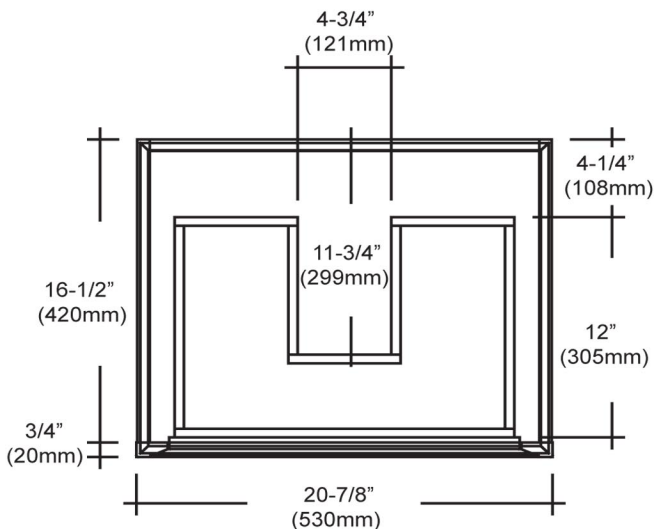
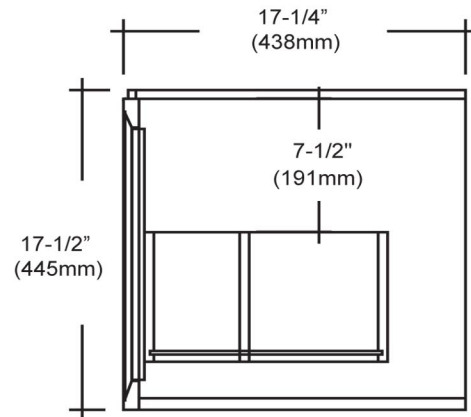
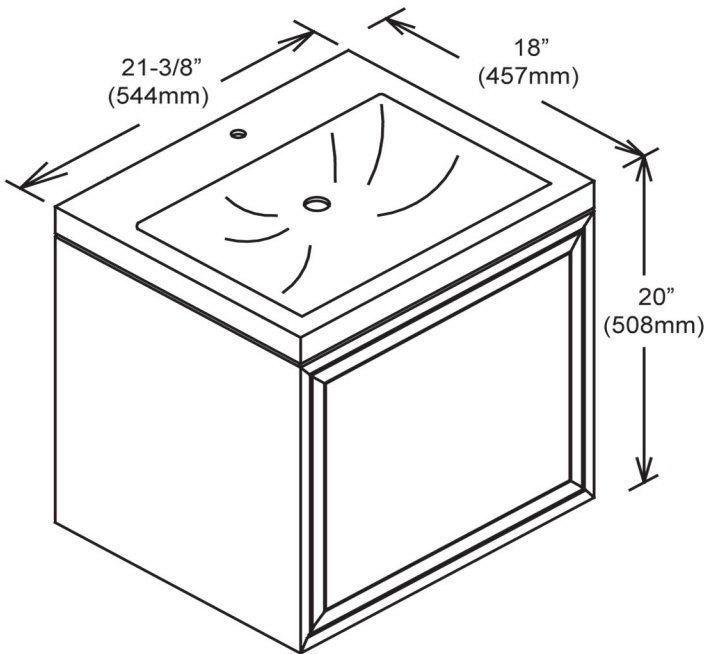
Back panel: Fully covered

Side Panels: 5/8" PB with Red Oak veneers

Includes: Sink (1)

#### Colors / Finish

110-Espresso



# S-11021W1

