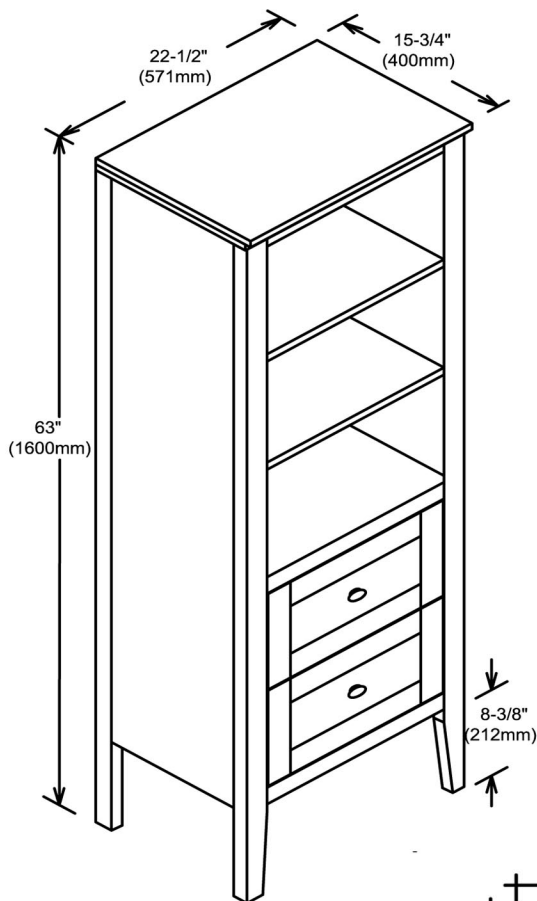


104-LT21

21" Linen Tower



SPECIFICATION SHEET

Features

Materials: Poplar solids with AGS veneers

Glides: Ball bearing

Drawers: 2

Drawer Boxes: 1/2" solid pine, four sided English dovetail

Shelves: 2 (Adjustable)

Hardware finish: Satin nickel

Back panel: Fully covered

Side Panels: 5/8" PB with AGS veneers

Colors/ Finish

104-Espresso

