

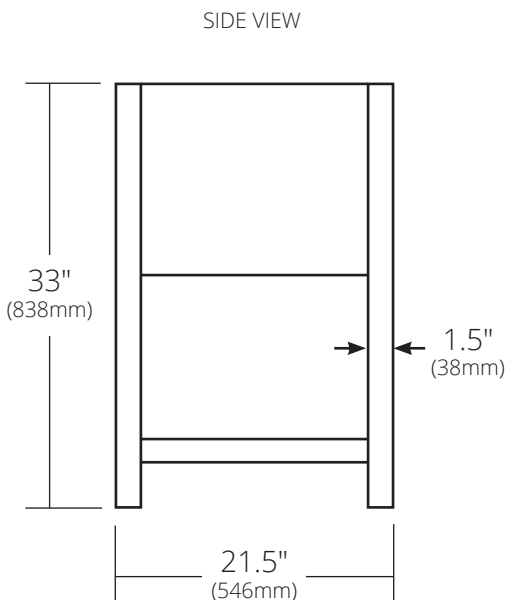
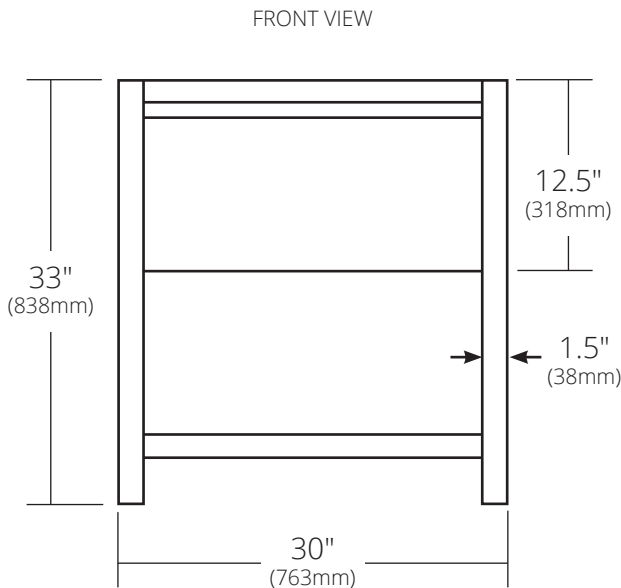
SPECIFICATIONS

SOLACE 30" VANITY

Solace Collection



- VNO301-A Sunrise Oak with Ash shelf
- VNO308-A Midnight Oak with Ash shelf
- VNO301-P Sunrise Oak with Pearl shelf
- VNO308-P Midnight Oak with Pearl shelf



PRODUCT DETAILS

- 30"w x 21.5"d x 33"h (763mm x 546mm x 838mm)
- FSC certified solid oak
- Low-VOC water-resistant finish
- Integrated NativeStone® Ash or Pearl lower shelf
- Vanity Top sold separately
- Full-extension drawer with soft close slides and U-channel for P-Trap. Inside drawer dimension 15.24"w x 22.21"d x 7.08"h (387mm x 564mm x 180mm)

INSTALLATION

- Freestanding vanity base

COORDINATING PRODUCTS

- Solace Mirror
- 30" NativeStone® Vanity Top or 30" Palomar Vanity Top with Integral Sink

IMPORTANT

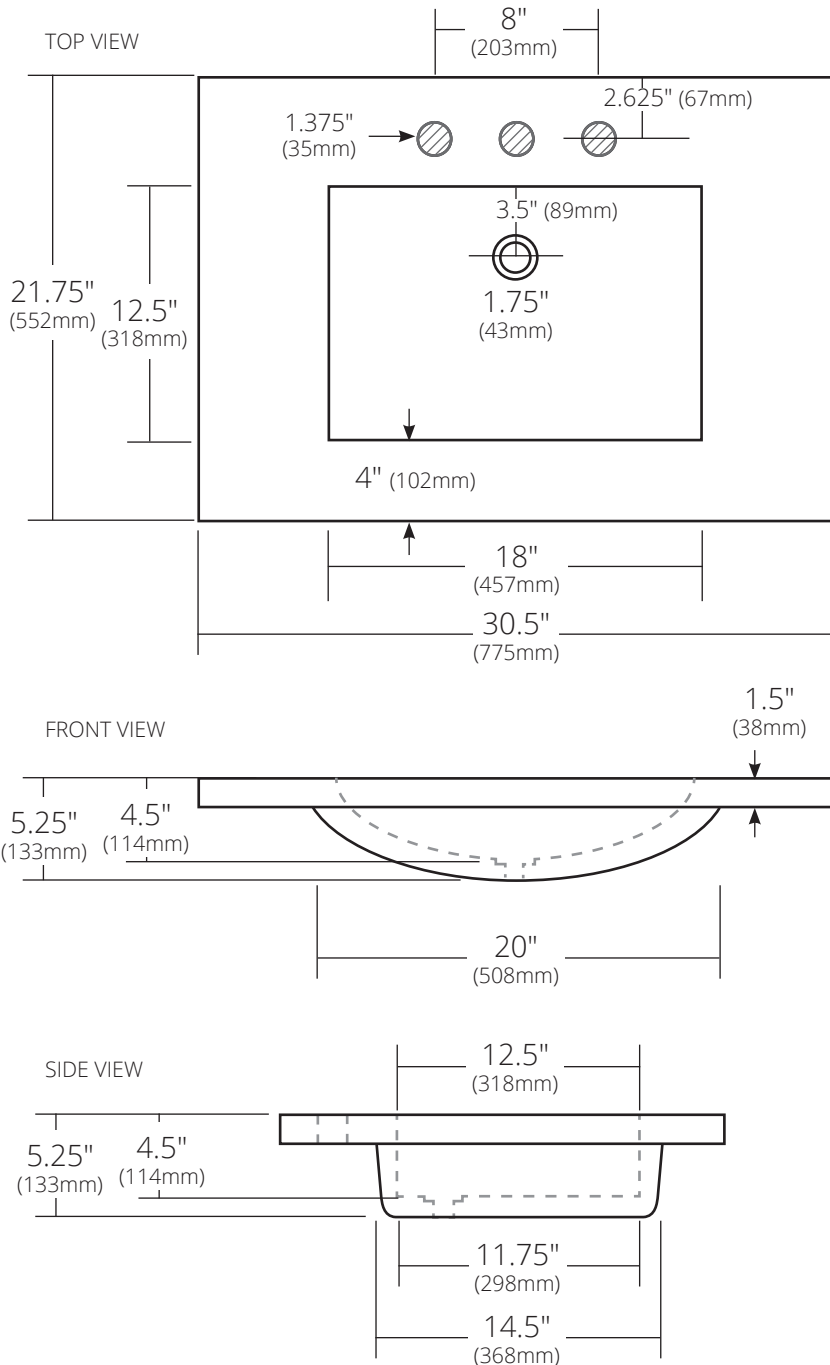
Do NOT use tape or other adhesives on NativeStone® as it may remove the sealer.



Due to the handcrafted nature of this product, it will vary in finish, texture, and other details. Dimensions may vary up to 1/4" (6mm).

SPECIFICATIONS

30" PALOMAR VANITY TOP WITH INTEGRAL SINK

NativeStone® Collection



| | | | |
|------------------------------------------------------------------------------------|-------------------------|-------------------------------------------------------------------------------------|---------------------------|
|  | 8" Faucet Spread |  | Single Faucet Hole |
| | NSVNT30-A Ash | | NSVNT30-A1 Ash |
| | NSVNT30-C Charcoal | | NSVNT30-C1 Charcoal |
| | NSVNT30-E Earth | | NSVNT30-E1 Earth |
| | NSVNT30-P Pearl | | NSVNT30-P1 Pearl |
| | NSVNT30-S Slate | | NSVNT30-S1 Slate |

PRODUCT DETAILS

- 30.5" x 21.75" x 5.25" OD (775mm x 552mm x 133mm)
- Basin 18" x 12.5" x 4.5" (457mm x 318mm x 114mm)
- 1.75" (43mm) drain opening
- Pre-drilled for 8" (203mm) faucet spread or single faucet hole
- Handcrafted from sustainable NativeStone
- Sealed with NativeStone Shield™

COORDINATING PRODUCTS

- Drains: DR120, DR130 or DR150

STANDARDS COMPLIANCE

- UPC/cUPC compliant
- **ADA COMPLIANT**

IMPORTANT

DO NOT use tape or other adhesives on NativeStone as it may remove the sealer.

Due to the handcrafted nature of this product, it will vary in finish, texture, and other details. Dimensions may vary up to 1/4" (6mm).