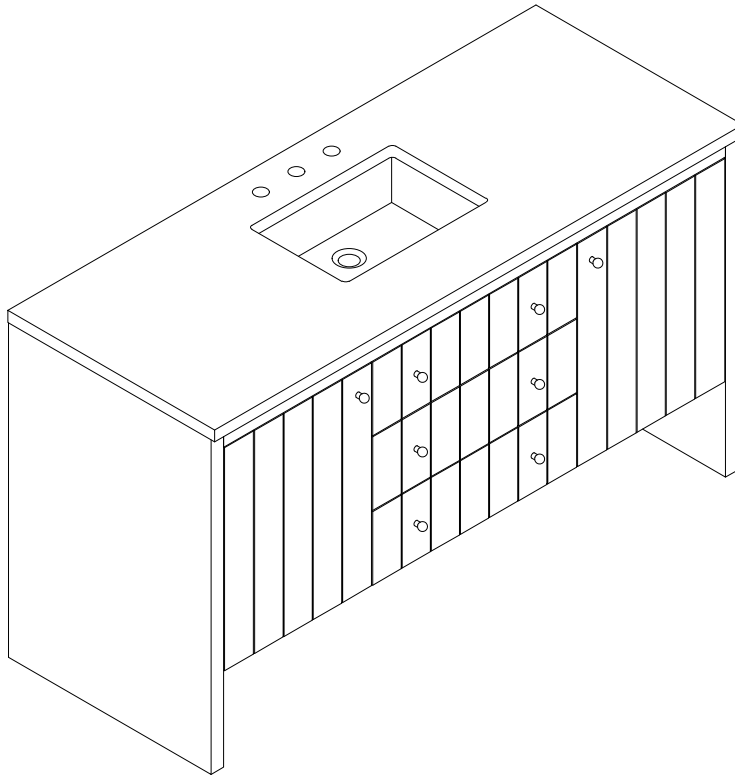


60S" HUDSON VANITY

JAMES MARTIN
VANITIES™

435-V60S-LNO



Features

Materials

Solids (Species): Ash

Veneers: Flat Cut White Oak

Panels: Plywood

Number of Basins: Single

Vanity Top : Sold Separately - 3cm Top with Sink

Basins Included: No

Number of Doors: Two

Number of Drawers: Three

Number of Tip Outs: One

USB/Power Component:Yes (ETL5011080)

Assembly Required: No

Bamboo Storage Tray: One

Drawer Box Material and Construction: 12mm Plywood/English Dovetail Joinery

Hardware Material and Finish: Zinc Alloy in Champagne Brass Color

Fits Drain Hole Size: 1-3/4"

Full Extension, Soft Close Glides

European Soft Close Hinges

Aluminum Laminate Drawer Liners

Dimension

Width:59-7/8"

Depth:23-1/8"

Height:33"

Rough-In Height:21-1/2"

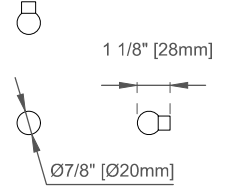
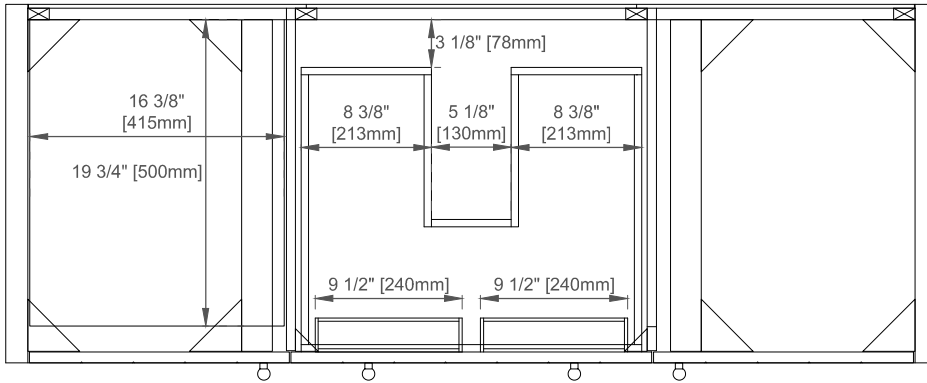
Visit website for warranty and installation information
www.jamesmartinvanities.com

Version:202212

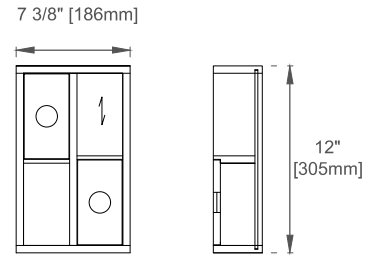
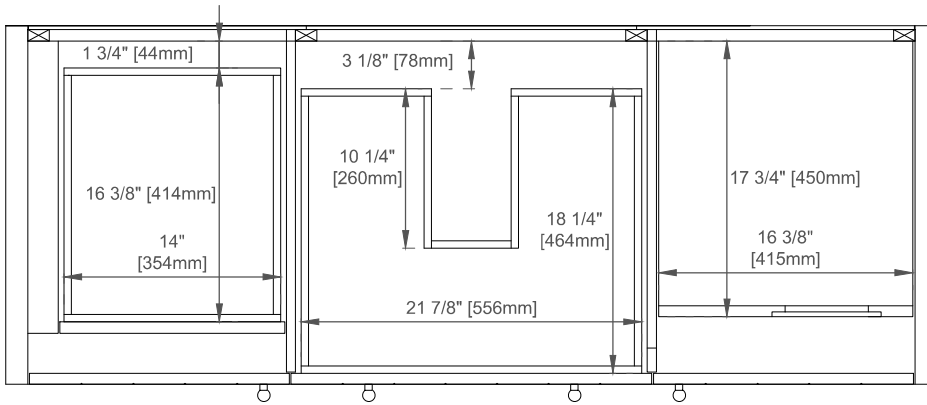
60S" HUDSON VANITY



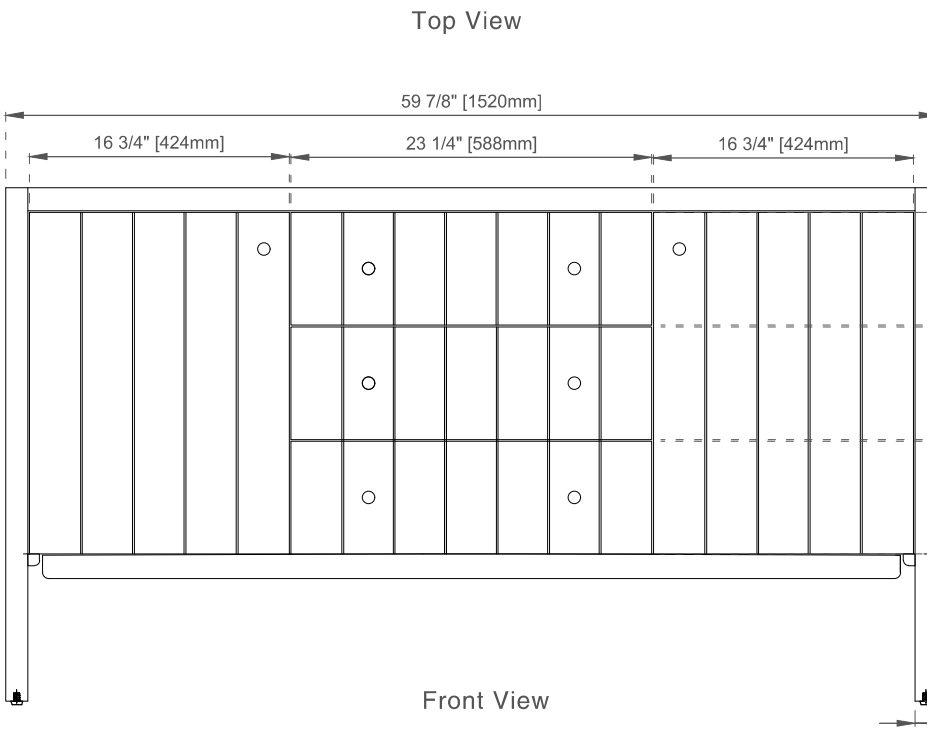
435-V60S-LNO



Knob



Bamboo Drawer Organizer



Front View

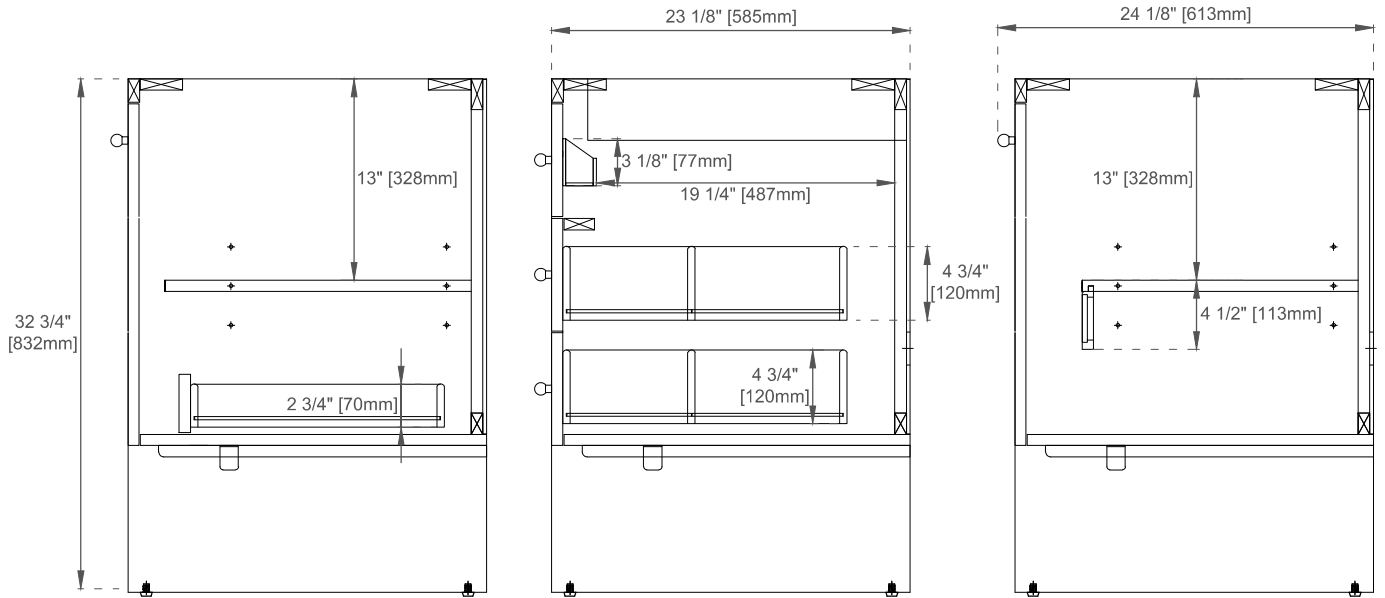
Diagrams are of cabinets only –James Martin Optional Countertops and sinks are not shown

Visit website for warranty and installation information
www.jamesmartinvanities.com

60S" HUDSON VANITY



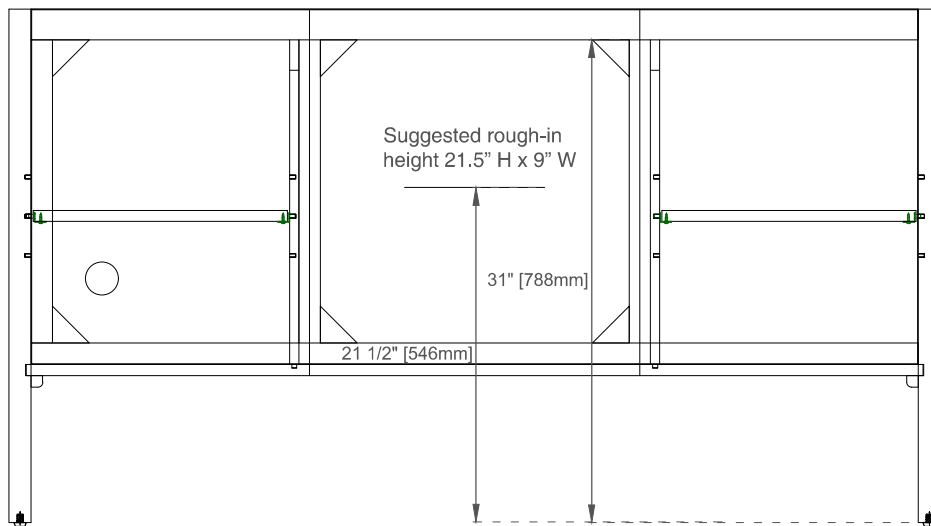
435-V60S-LNO



Side View

Side View

Side View



Back View

Diagrams are of cabinets only –James Martin Optional Countertops and sinks are not shown

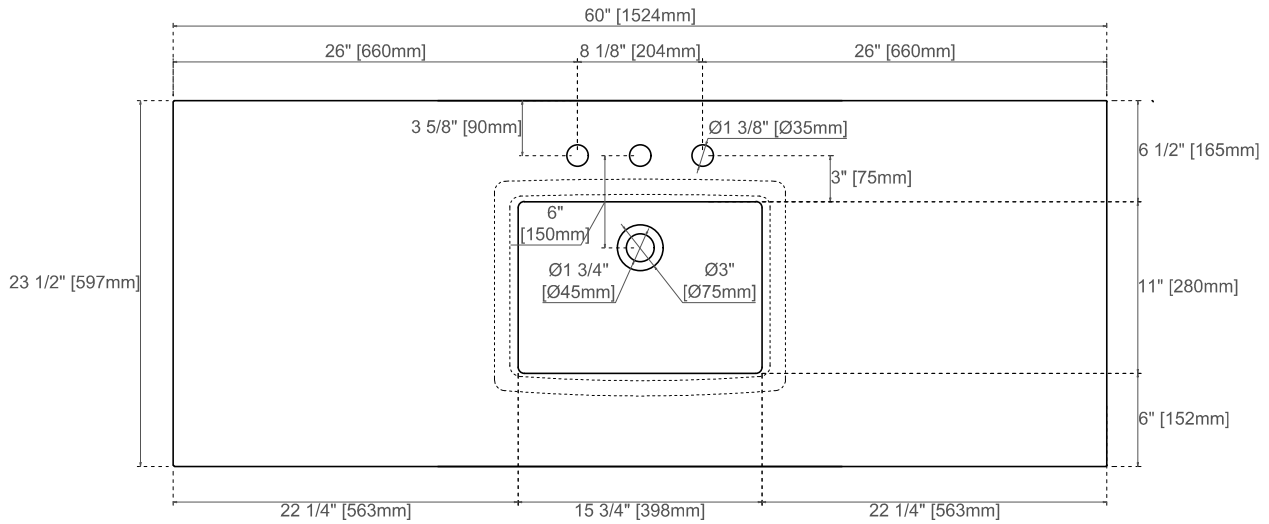
Visit website for warranty and installation information
www.jamesmartinvanities.com

Version:202212

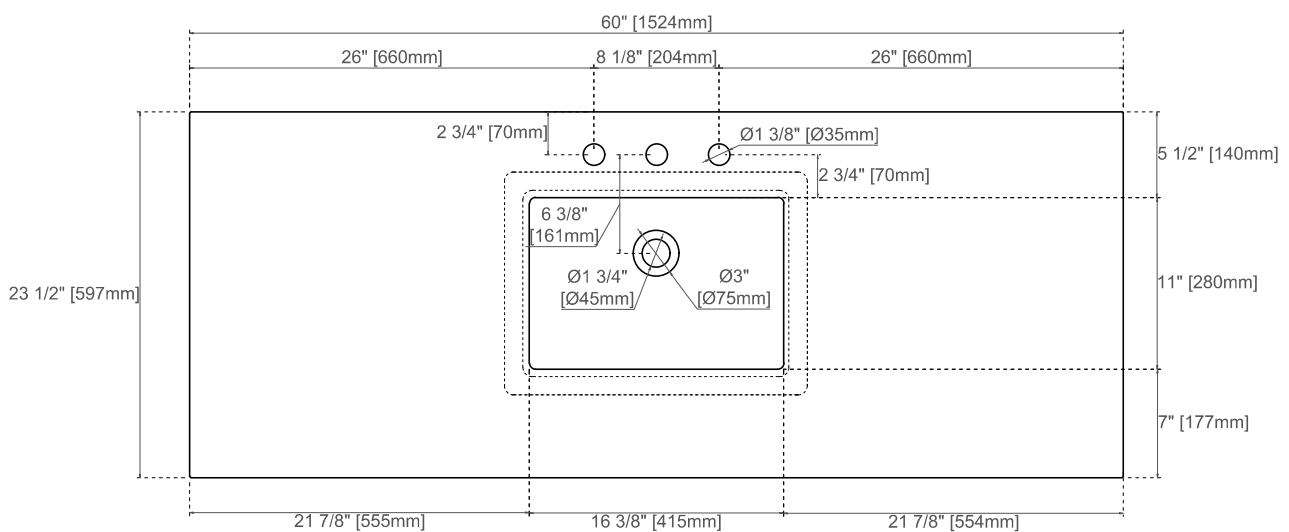
60"S 3cm COUNTERTOPS
050-S60S
080-S60S
090-S60S

JAMES MARTIN
VANITIES™

080,090 Sereis Tops



050 Quartz Sereis Tops



Visit website for warranty and installation information
www.jamesmartinvanities.com

Version:202301