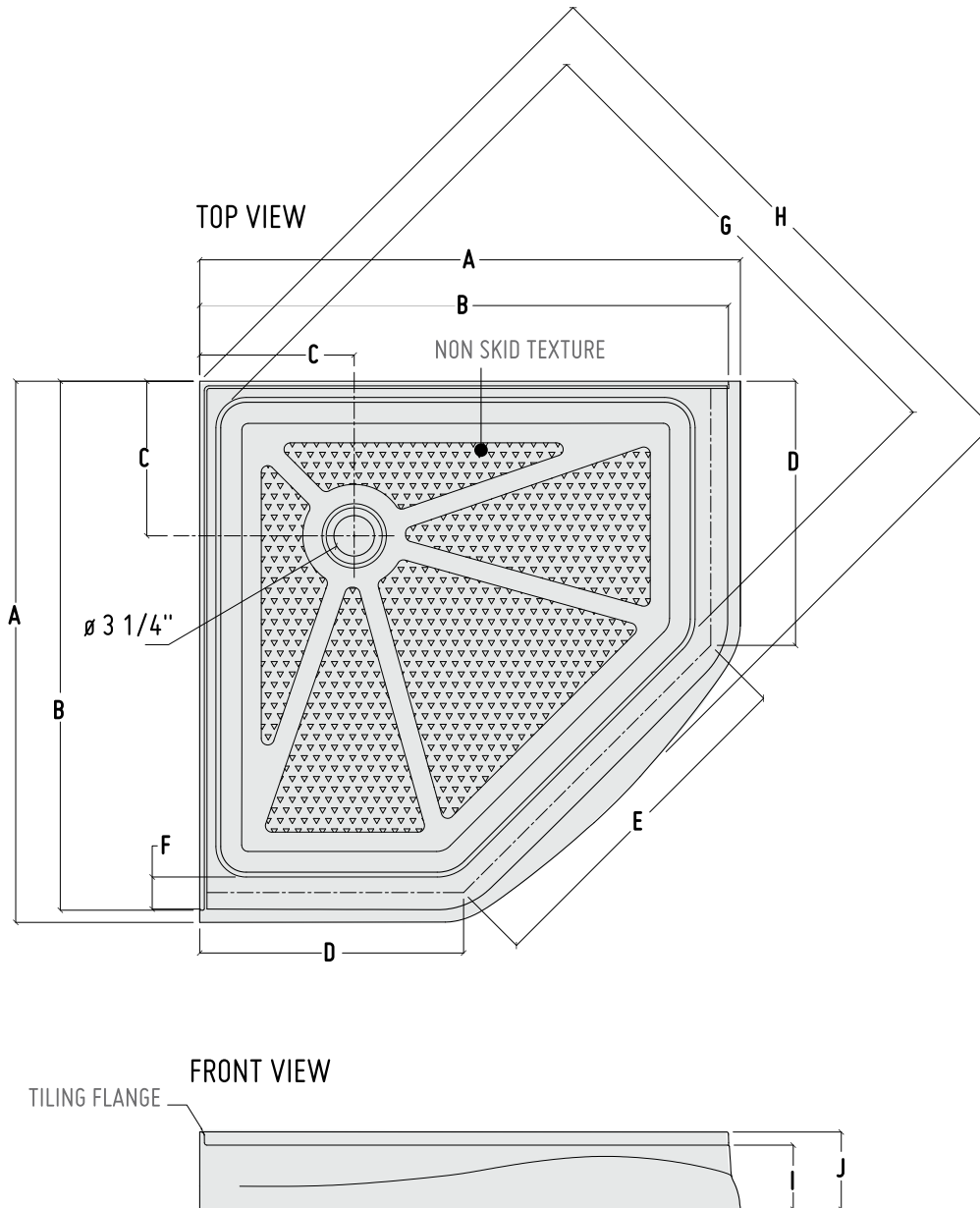


CORNER MODELS ABN36, ABN38 & ABN42



*DIMENSIONS										
BASES	A	B	C	D	E	F	G	H	I	J
ABN36	37"	36"	12"	18"	23 11/16"	2 9/16"	32 1/2"	40 9/16"	4 1/2"	5 1/2"
ABN38	38 3/8"	37 3/8"	12"	19 3/8"	23 7/8"	2 3/4"	34 7/16"	42 1/2"	4 1/2"	5 1/2"
ABN42	42"	41"	12"	20 13/16"	27 5/16"	2 1/2"	38 1/8"	45 7/8"	4 1/2"	5 1/2"

\*Tolerance on dimensions: ± 1/4"