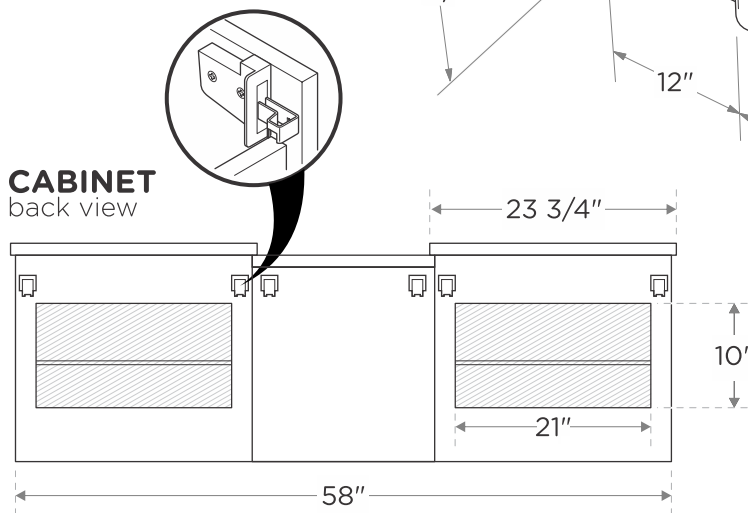
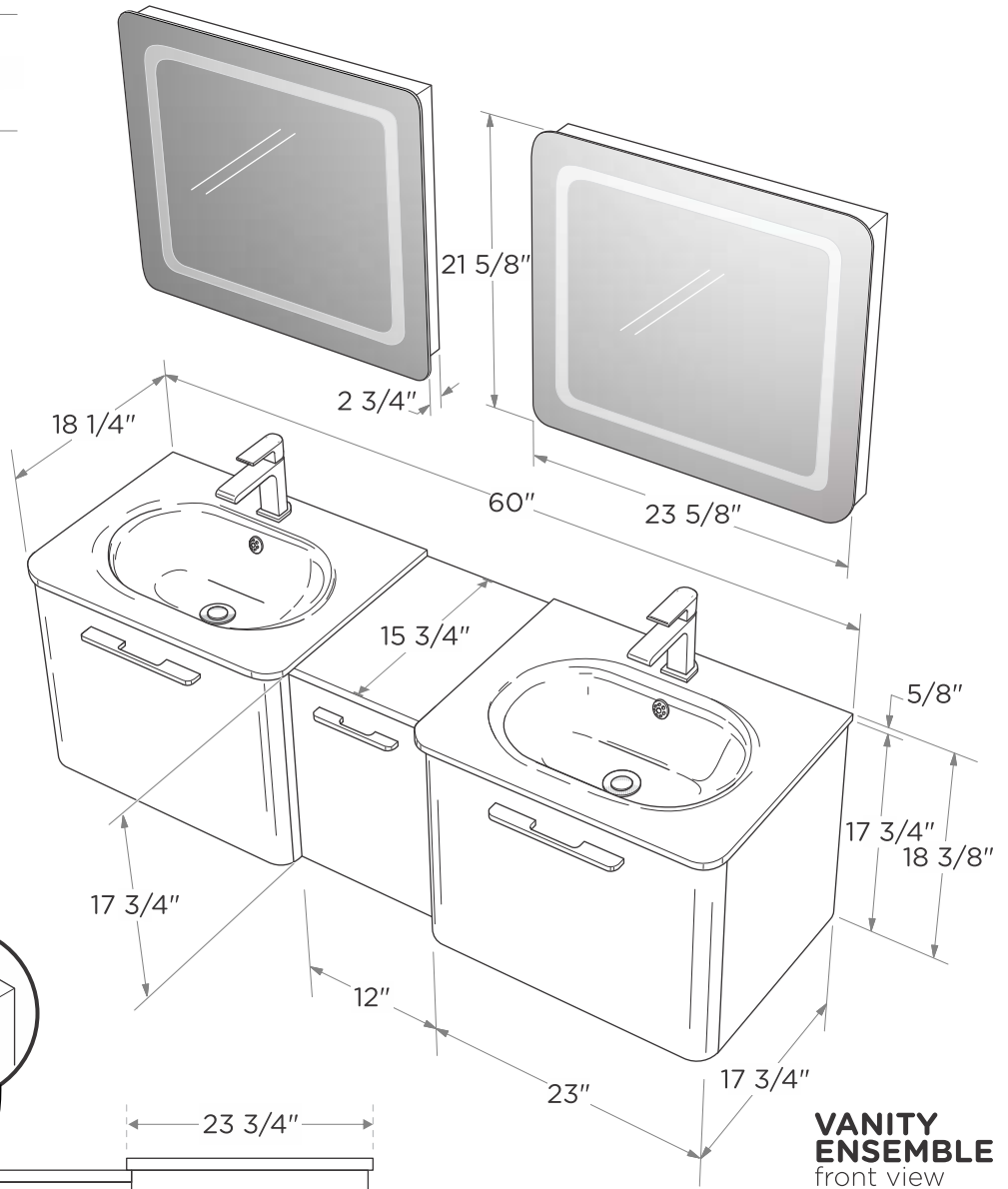
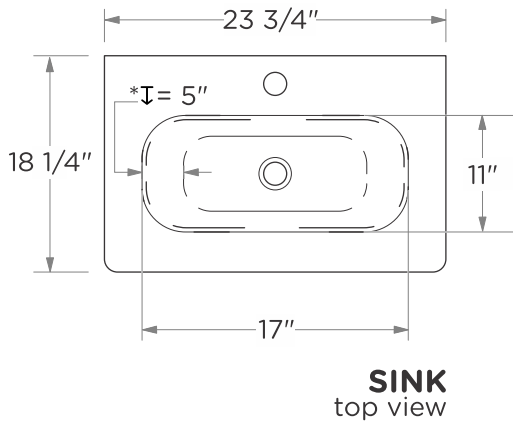


FVN17241224
BRILLANTE
INSTALLATION GUIDE



SPECIFICATION SHEET



*T= depth

⚠ ALL DIMENSIONS & SPECIFICATIONS ARE APPROXIMATE AND SUBJECT TO CHANGE WITHOUT NOTICE.

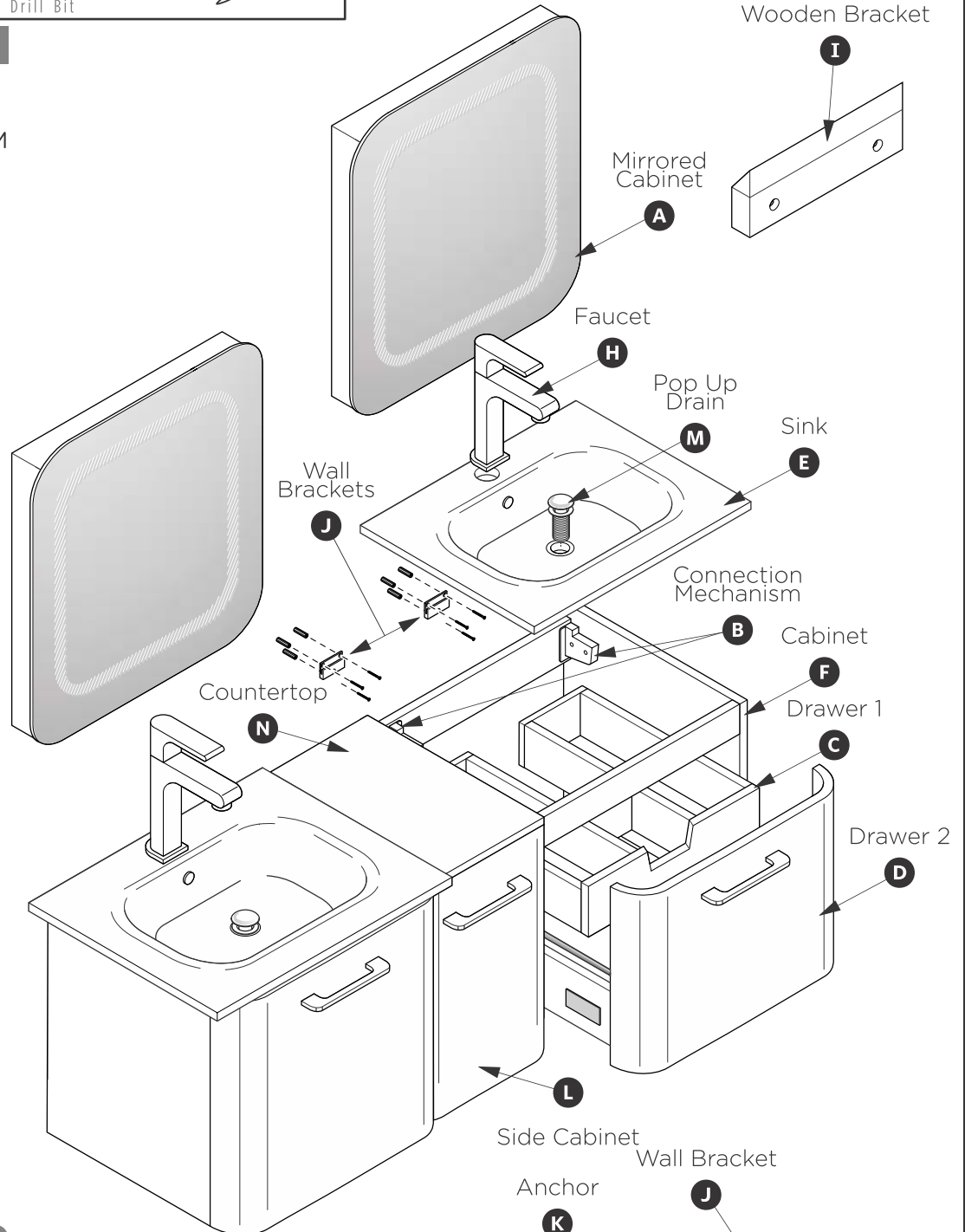
TOOLS FOR ASSEMBLY



PARTS

PARTS:

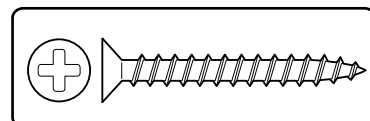
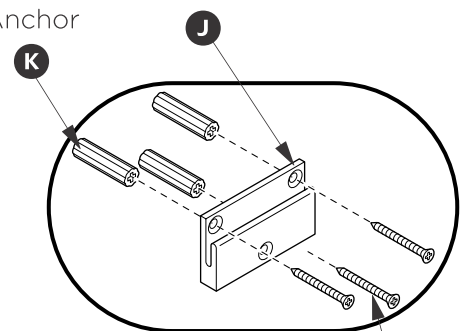
- A** MIRRORED CABINET (X2)
- B** CONNECTION MECHANISM
- E** SINK (X2)
- F** CABINET (X2)
- G** #8 SCREW
- H** FAUCET (X2)
- J** WALL BRACKET (X4)
- M** POP UP DRAIN (X2)
- K** ANCHOR (X12)
- C** DRAWER 1
- D** DRAWER 2
- I** WOODEN BRACKET (X2)
- L** SIDE CABINET
- N** COUNTERTOP



IMPORTANT:

CONSULT AN EXPERT FOR THE PROPER SCREWS/BOLTS TO USE WHEN ATTACHING TO VARIOUS WALL CONSTRUCTIONS. SCREWS PROVIDED DO NOT ATTACH TO ALL WALL CONSTRUCTION TYPES.

Note: Only use anchors **K** if stud (2"x4" frame) is not available.



G
#8 Screw
1-3/8" FLAT
HEAD SCREW



FVN17241224

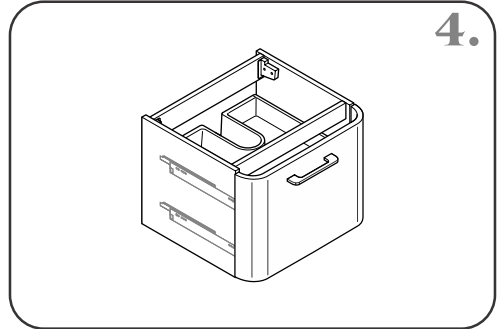
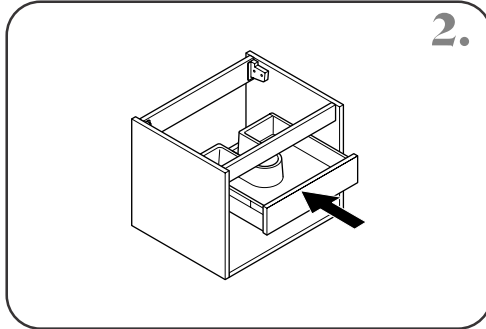
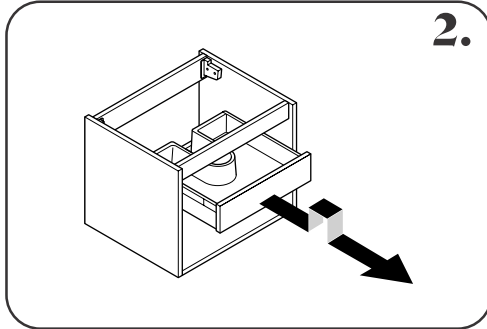
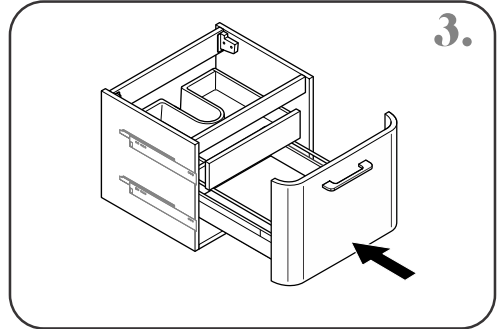
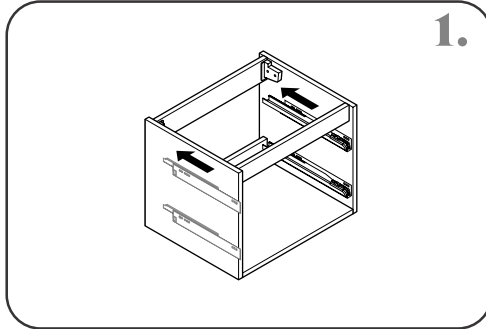
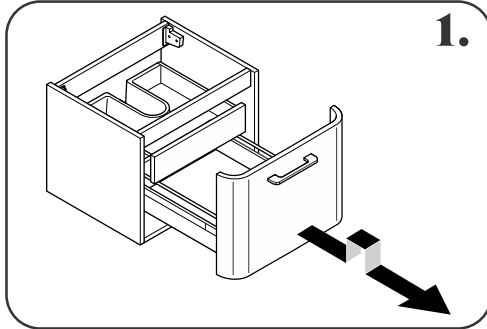
BRILLANTE | INSTALLATION GUIDE

PAGE 2

DRAWER REMOVAL & INSTALLATION

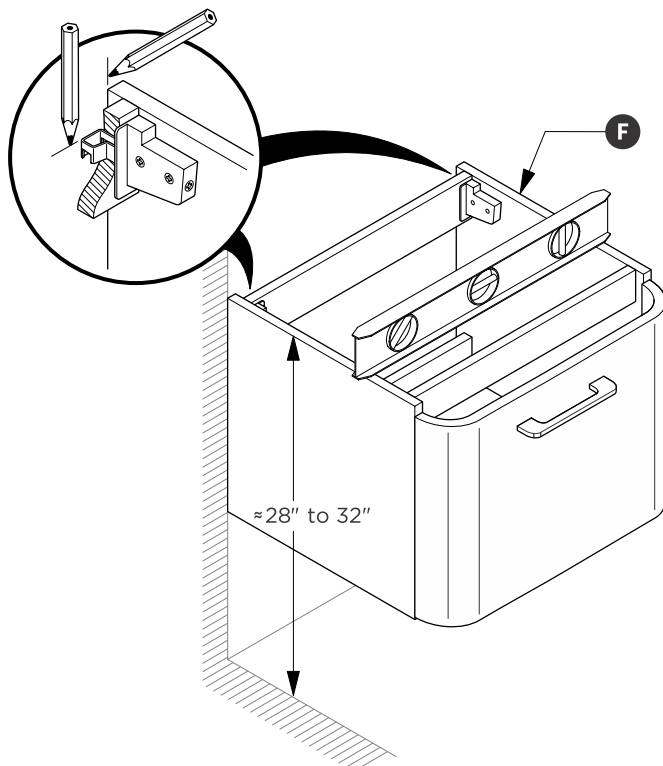
REMOVAL

INSTALLATION

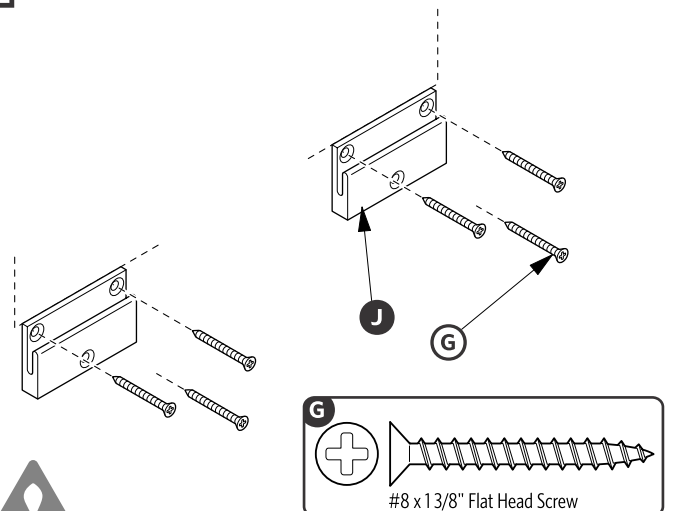


CABINET INSTALLATION

- 1.** Place cabinet (**F**) to the wall and mark location using a level.



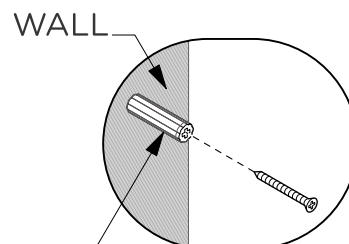
- 2.** Attach brackets (**J**) to the wall.



IMPORTANT:

CONSULT AN EXPERT FOR THE PROPER SCREWS/BOLTS TO USE WHEN ATTACHING TO VARIOUS WALL CONSTRUCTIONS. SCREWS PROVIDED DO NOT ATTACH TO ALL WALL CONSTRUCTION TYPES.

- 1.b - 2.b** Repeat Step 1. & 2. for side cabinet and for the second cabinet.



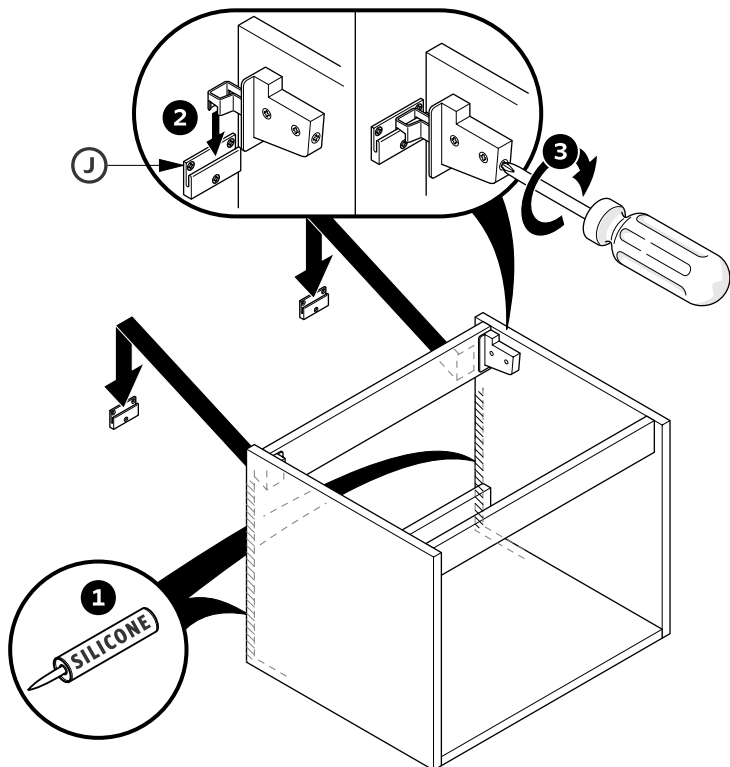
Anchor **K**

Note: Only use anchors **K** if stud (2"x4" frame) is not available.



INSTALLATION

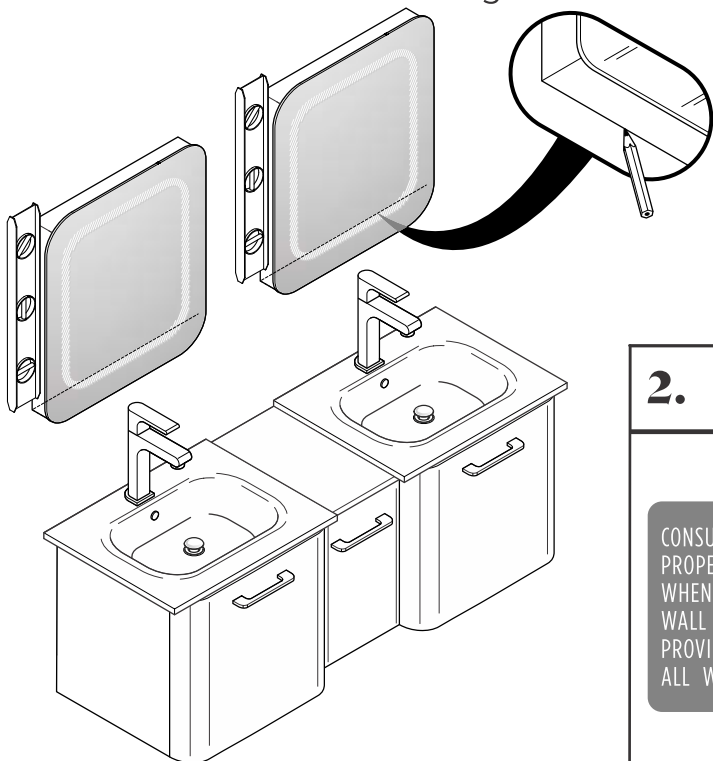
- 3.** Apply silicone and place cabinet **(F)** on the brackets **(J)** then repeat this step for the side cabinet and second cabinet.



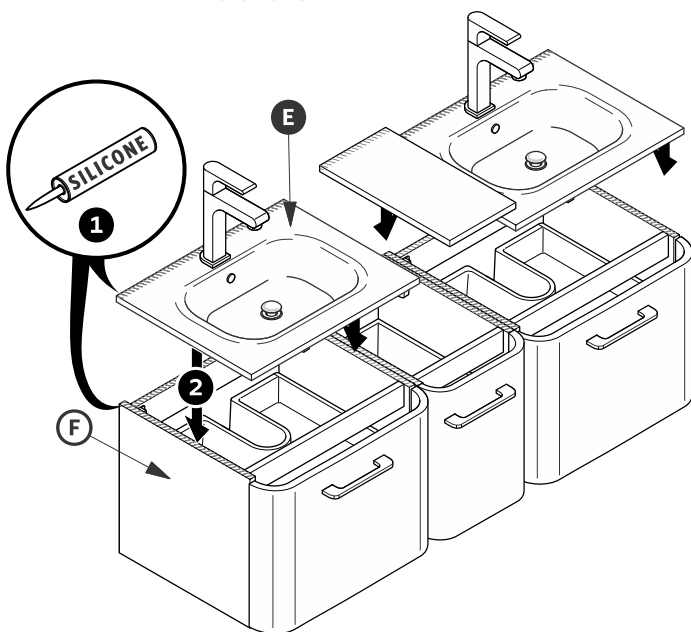
IF NECESSARY REMOVE DRAWERS FOR AN EASY ACCESS TO THE CONNECTION MECHANISM.

Please refer to Pg.2 for the drawer removal

- 1.** Place mirrored cabinet **(A)** to the wall & mark desired location using a level.



- 4.** Apply silicone and place sink(s) **(E)** and countertop **(N)** on the cabinet(s) **(F)**.



MIRRORED CABINET INSTALLATION

For the center aligned installation please refer to Illustration c.

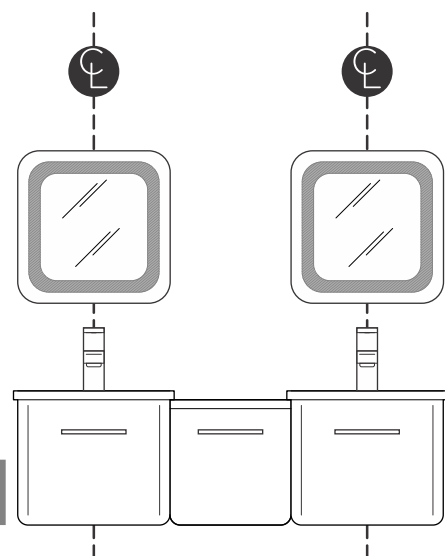
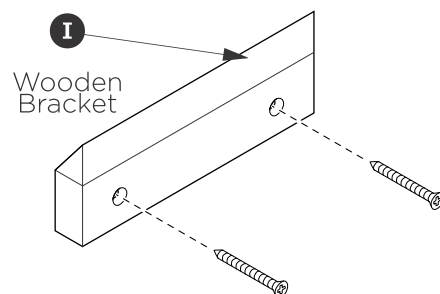


Illustration c.

- 2.** Attach wooden bracket **(I)** to the wall for each mirrored cabinet using screws.

CONSULT AN EXPERT FOR THE PROPER SCREWS/BOLTS TO USE WHEN ATTACHING TO VARIOUS WALL CONSTRUCTIONS. SCREWS PROVIDED DO NOT ATTACH TO ALL WALL CONSTRUCTION TYPES.



MIRRORED CABINET INSTALLATION

- 3.** Once bracket **(I)** is attached place mirrored cabinet on it.
(See Illustration **d.**)

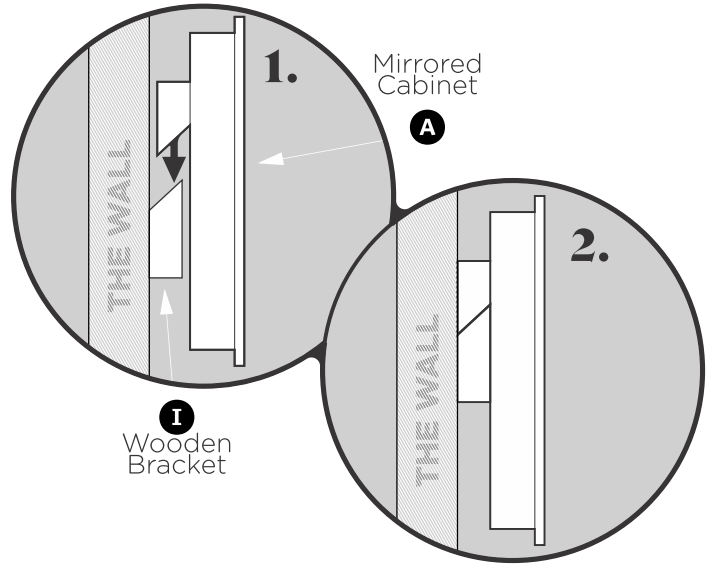
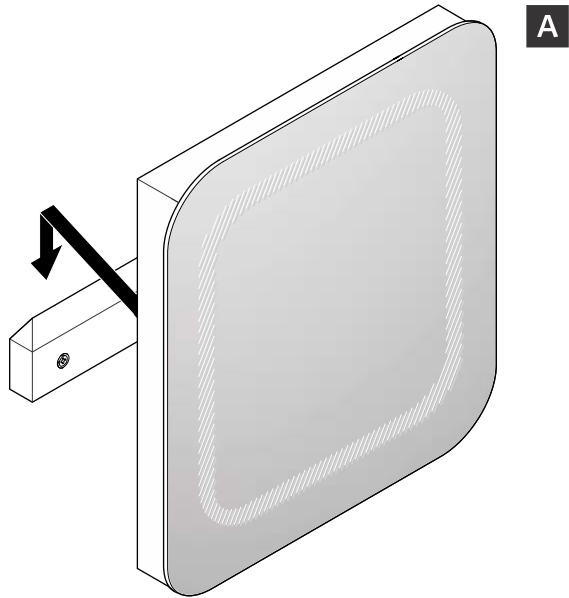
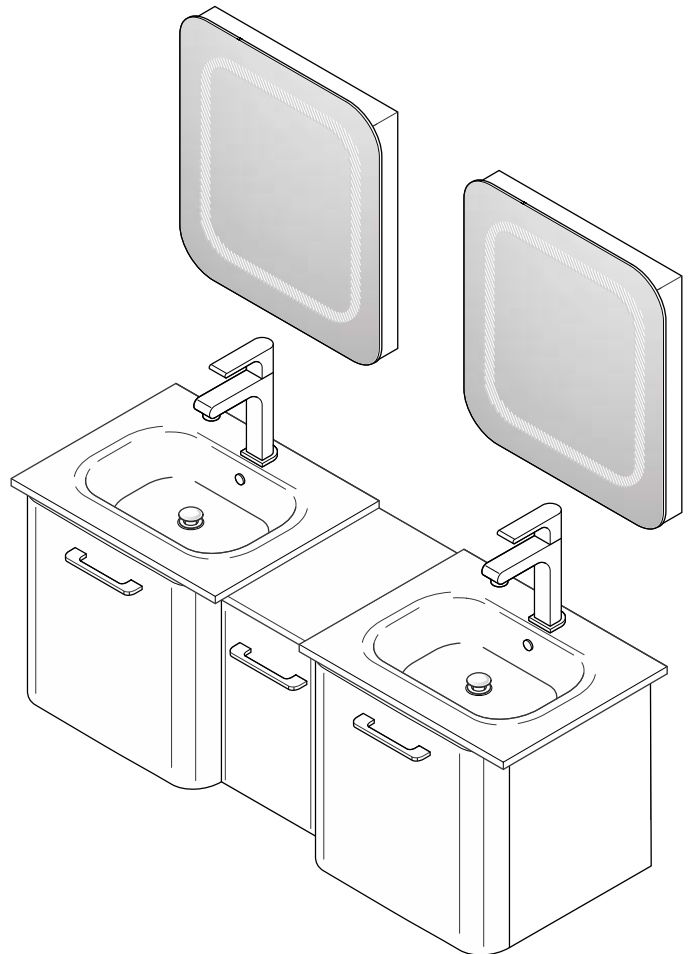
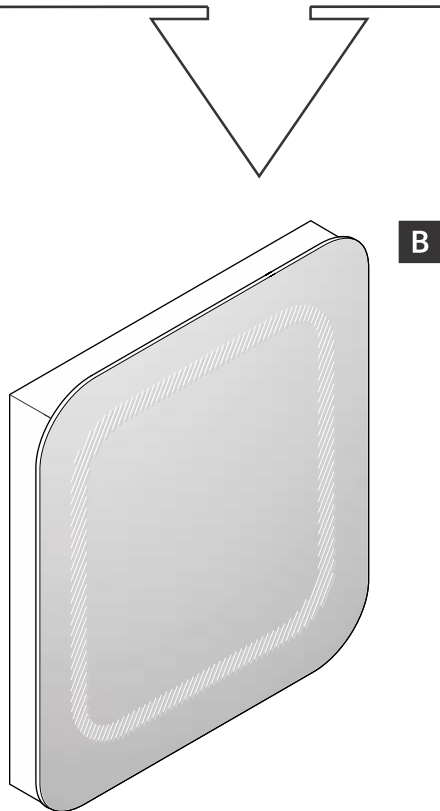


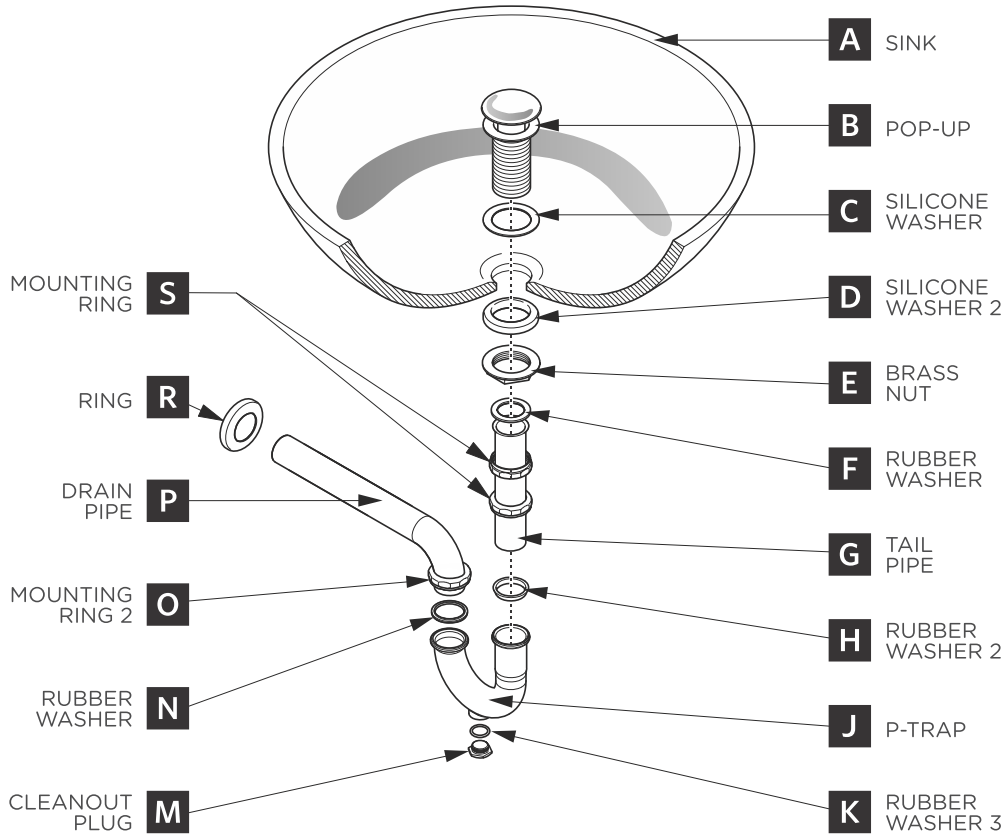
Illustration **d.**



P-TRAP & POP-UP

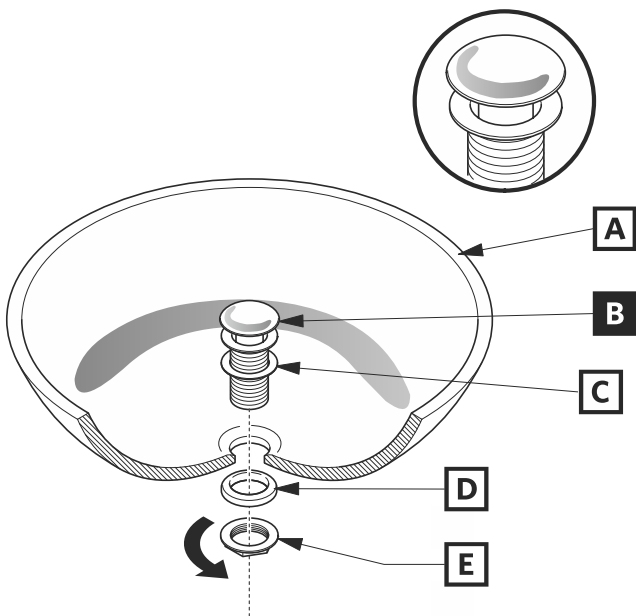
INSTALLATION INSTRUCTIONS

Your item may appear slightly different from the illustration.



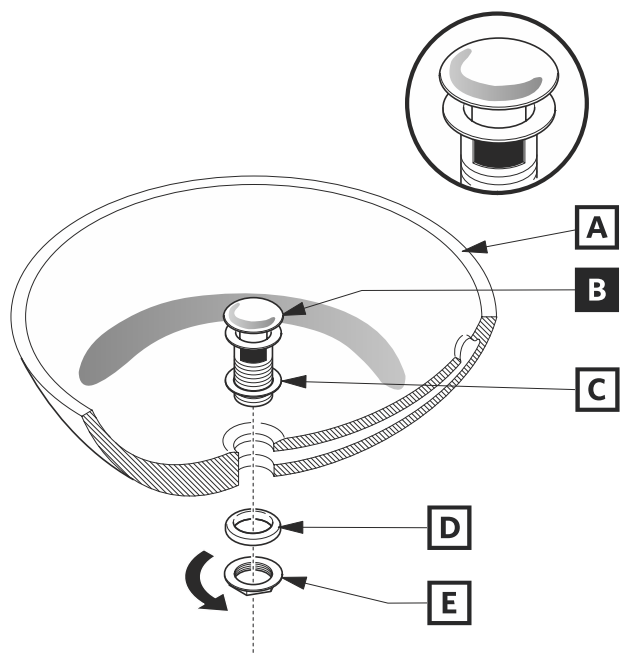
POP-UP INSTALLATION

FOR SINKS
WITHOUT OVERFLOW



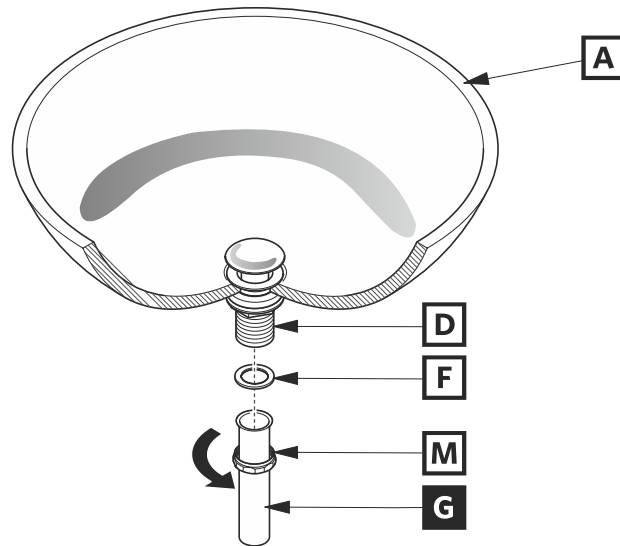
OR

FOR SINKS
WITH OVERFLOW



P-TRAP INSTALLATION

1. Install tail pipe (G).



2. Install P-trap (J).

